

LE-SS-1G

Vandal and Weather Resistant 1-Gang Sub Station

- INSTRUCTIONS -

The LE-SS-1G is a 1-gang stainless steel vandal proof and weather resistant sub station designed for use with the LEM, LEF, LAF/LDF-C, AP-M, and MP-S systems. This unit is constructed with 12 gauge stainless steel and can be flush mounted into a 1-gang box, or surface mounted with the SBX-1G. Each unit includes two tamper proof screws and a tool for installation.

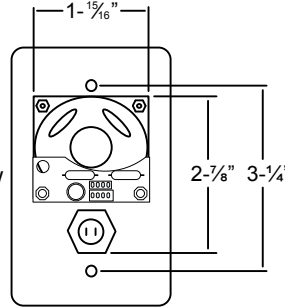
INSTALLATION:

1. For flush mounting, install sub station in a 1-gang electrical box with **Minimum 2-1/8" Width and 2-1/2" Depth.**
2. For surface mounting, install sub station in the SBX-1G surface mount enclosure.
3. **IMPORTANT!** This unit is designed for use in normal weather conditions, and is made to allow for drainage and evaporation of moisture that naturally gets into it. **Do not apply caulking or silicone sealant around the unit when installing, and do not use weather stripping around the perimeter of the box when mounting.** If sealing the unit is required, the bottom must remain unsealed. Sealing the unit will prevent or inhibit moisture from dissipating from inside the unit, which may cause corrosion or deterioration to the internal components over time. Warranty does not cover damage caused by sealing the unit.

LE-SS-1G

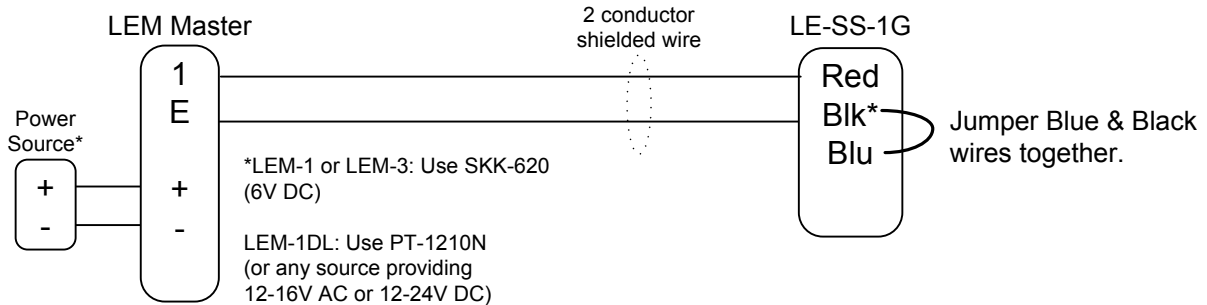


Back View



WIRING DIAGRAMS:

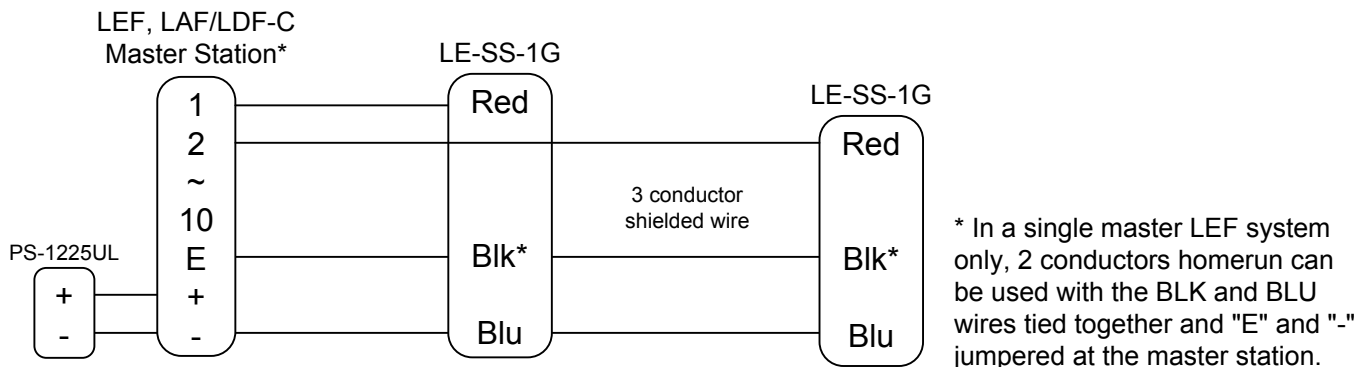
LEM SYSTEM:



WIRE COLOR CODE DEFINITIONS:

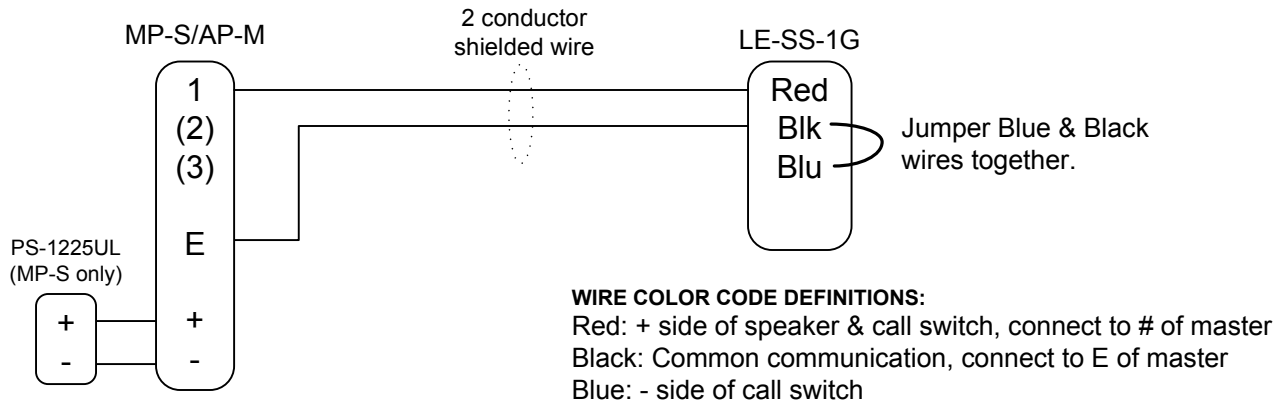
Red: + side of speaker & call switch, connect to # of master
 Black: Common communication, connect to E of master
 Blue: - side of call switch

LEF, LAF-C, or LDF-C SYSTEM:



WIRING DIAGRAMS:

MP-S/AP-M SYSTEMS:



Intercom wiring must be run at least 20" away from any AC wiring, fluorescent lighting, dimmer switches, or any other electronic device that may cause interference.

OPERATION:

1. To place a call from the remote station: Press call button once, then release and wait for a response from the person at the master station. The call tone will be heard at the master for the duration of time the call button being pressed. The LED will be lit for approximately 20 seconds.
2. To answer the call at the master station: Press the channel selector button with the lit LED, which indicates which remote has called in. Press TALK button to talk, release to listen.
NOTE: On LEM-1 master, just push TALK button. There is not a channel selector button on that model.
3. Speak hands free at the remote station.
4. To conclude the call, press the OFF button.
5. To initiate a call from the master station to the remote, simply press the channel selector button, then TALK to speak to the person at the remote.
6. Press OFF to conclude the call.

SPECIFICATIONS:

Power Source:	Supplied by master station
Speaker:	20 ohms, 4W, 1.92" square, water proof and puncture resistant, 0.44 oz. magnet
Call Button:	SPST call button. Call tone rings at master as long as button is held down. LED will remain lit for approx. 20 seconds (LEF, LEM-3, MP-3S, AP-5/10M only). Call tone only on LEM-1DL, LEM-1, and MP-1S. Limited stop button.
Communication:	Hands free at sub. Master is push-to-talk, release-to-listen.
Faceplate:	12 gauge stainless steel
Mounting:	Flush mount into a 1-gang box with Minimum 2-1/8" Width, 2-1/2" Depth. Surface mount into SBX-1G, sold separately. Tamper proof screws included (6x32 for use with flush gang box) with T-10 TORX bit. Use hardware included with SBX-1G when installing sub into that unit.
Terminations:	Color-coded prewired pigtails
Operating Temperature:	Speaker rating: -67°F to 185°F (-55° to 85°C) Switch rating: -40°F to 257°F (-40°C to 125°C)
Wiring:	2 conductors in a 1-master LEF and MP-S system. 3 conductors in a multi-master LEF system. Shielded cable is recommended. Use Aiphone #822202 for LEM, MP-S, and AP-M. Use #822202 or #822203 for LEF.
Wiring Distance:	See system that unit is being used with for distance specifications.
Dimensions (H x W x D):	LE-SS-1G alone: 4-1/2" x 2-3/4" x 1-5/8" With SBX-1G: 4-9/16" x 2-15/16" x 2-7/8" (Top) 2-1/8" (Bottom)