

Overview



- Sensitive and ultra sensitive relay modules.

RBSN

- Current draw 15mA.
- Factory set for 12VDC cut jumper J1 for 24VDC operation.

RBSNTTL

- 3VDC to 24VDC 18mA positive (+) or negative (-) isolated trigger.
- Ultra sensitive.

Specifications

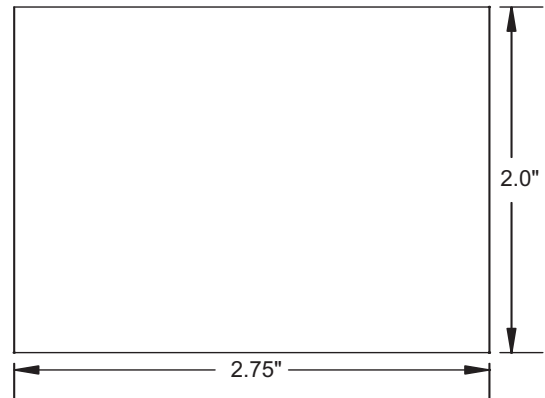
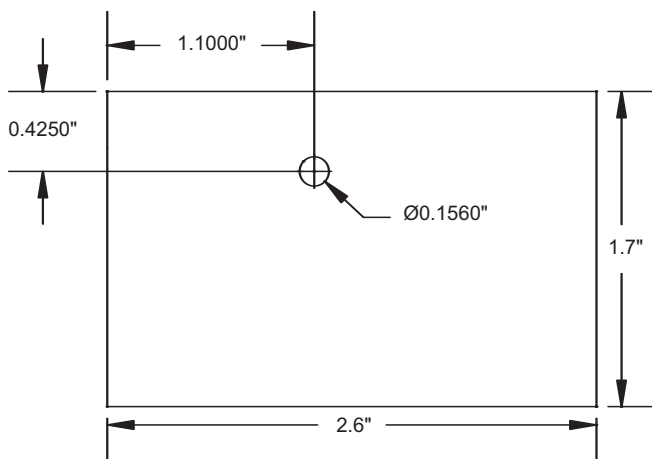
- 12VDC to 24VDC selectable operation.
- DPDT contacts rated at 2 amp/120VAC/28VDC.
- Snap track mountable (Altronix model # ST1).

Board Dimensions (approximate)

RBSN: 2.6"L x 1.7"W x 1.1"H

RBSNTTL: 2.75"L x 2"W x 1.1"H

Mounting Diagrams



ST1 Mechanical Drawing

