



# RAC24 - Relay & Base Module

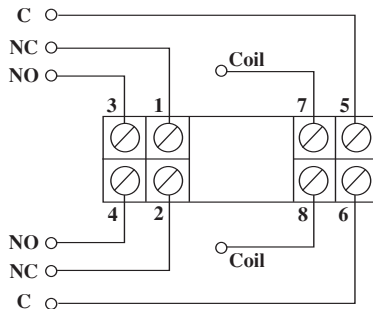
## Specifications:

- UL Recognized.
- 24VAC operation.
- Current draws: 45mA.
- 10 amp/220VAC or 28VDC DPDT contacts.
- DIN Rail Mountable.

Dimensions: 2.7"L x 1.375"W x 2.375"H

## Installation Instructions:

1. Mount RAC24 in desired location.
2. Plug-in relay into base.
3. Relay will activate upon applying 24VAC to the terminals marked [7 & 8].
4. Use output contacts to make and break load circuits.



Altronix is not responsible for any typographical errors. Product specifications are subject to change without notice.

