

ST1, ST2, ST3

Snap Tracks for Altronix Products

Description

Snap tracks accommodate smaller Altronix devices and accessories for mounting onto a standard 35mm DIN rail or inside enclosures.

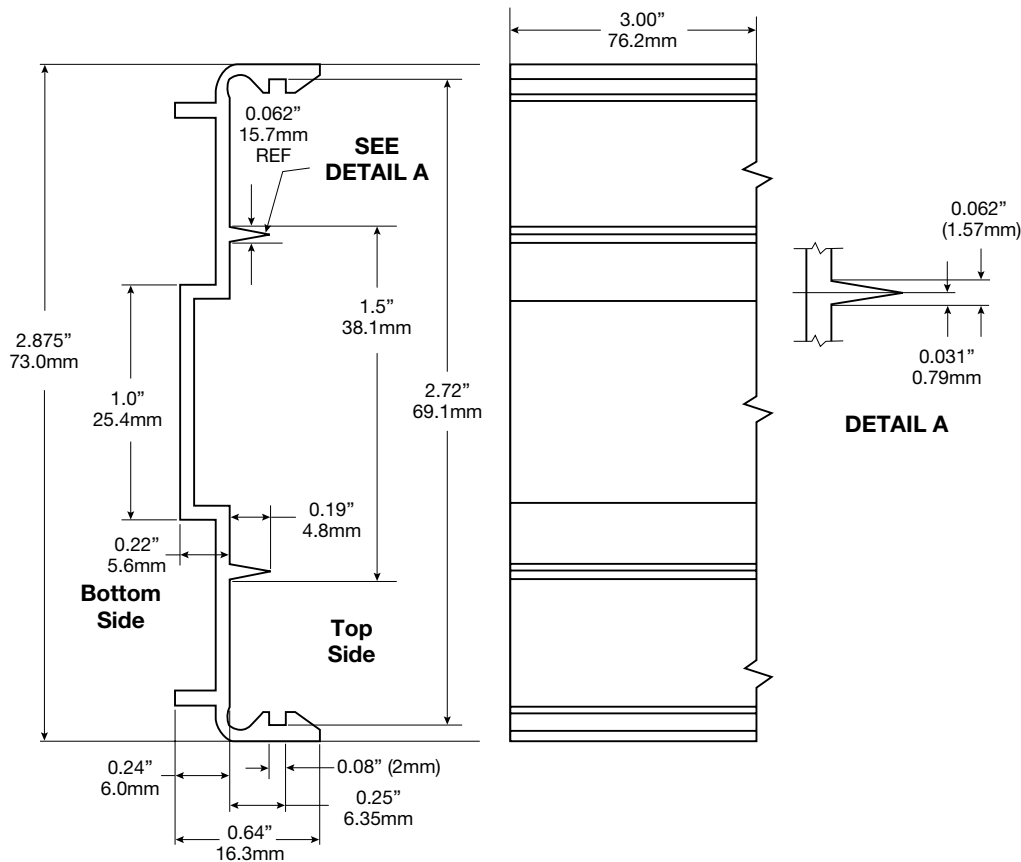


Specifications

Altronix Snap Track Model	Compatible Altronix Boards	Dimensions (W x L x H)
ST1	RB5, RB1224, RBSN, RBST, RB30	3.0" x 2.875" x 0.64" (76.2mm x 73mm x 16.3mm)
ST2	RB7, RBOC7	6.0" x 3.35" x 0.65" (152.4mm x 85mm x 16.5mm)
ST3	AL624, SMP3, SMP5, AL175ULB, AL176ULB, 6030, 6062, PT724A	3.0" x 3.44" x 0.625" (76.2mm x 87.3mm x 15.9mm)

Drawings

ST1

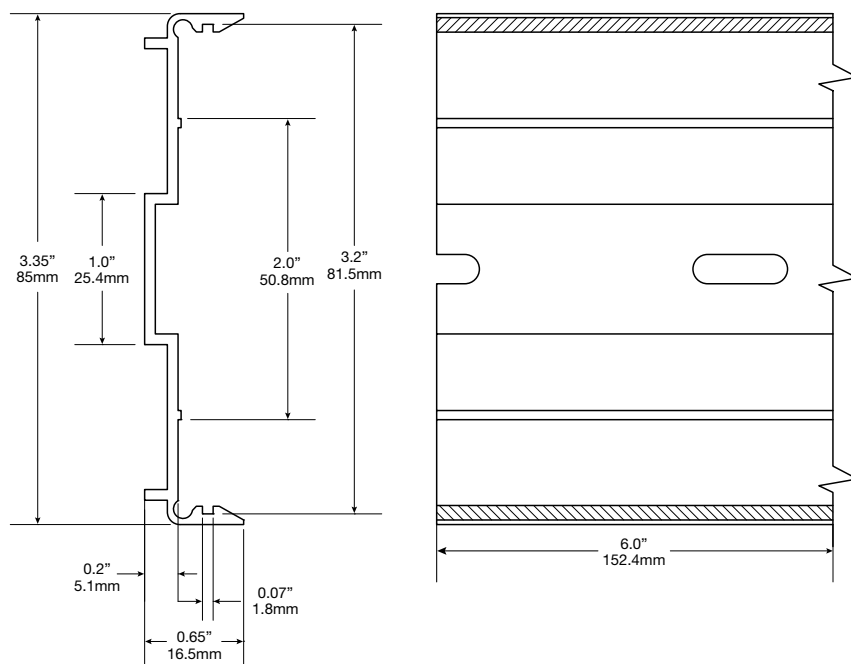


ST1, ST2, ST3

Snap Tracks for Altronix Products

Drawings

ST2



ST3

