

13VG2812ASII-SQ Tamron CS Mount Lens

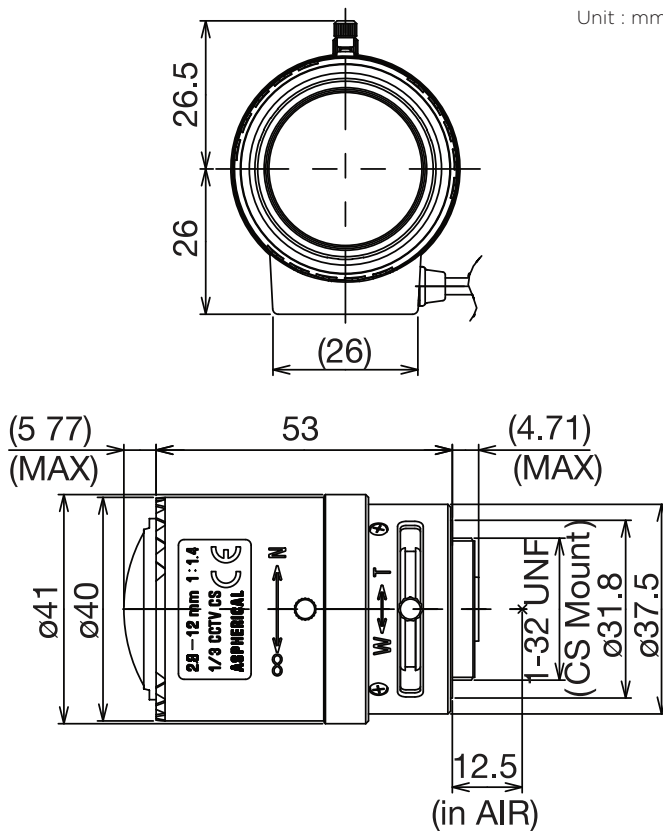


INFO:

- 2.8-12mm (4.3x)
- F1.4 - T360 (Equivalent to F360)
- Auto Iris (DC Type)
- Manual Focus
- CS-Mount

DIMENSIONS:

Unit : mm



SPECIFICATIONS:

Focal Length	2.8-12mm (4.3x)
Iris Range	F1.4 - T360 (Equivalent to F360)
Iris Operation	Auto, DC Type
Focus Operation	Manual
Zoom Operation	Manual
Mounting Type	CS Mount, Metal
Focusing Range	∞ - 0.3m
Back Focus Distance (in air)	8.61 - 19.9mm
Operating Voltage	Open: 3.3V / Close: .7V
Operating Temperature	-4°F - 140°F / -20°C - 60°C
Weight	.15 lbs / 71g
1/3" Angle of View	
Wide	97.4° x 72.5°
Tele	24.1° x 18.1°
1/4" Angle of View	
Wide	72.5° x 54.1°
Tele	18.1° x 13.6°