

# CE-174C

## INSTALLATION GUIDE

### Included Items:

- Two Piece Monitor Wall Mount x 1
- Bubble Level x 1
- Wall Anchor Expansion Screws x 4
- VESA Screws x 4
- 13-14mm Wrench x 1

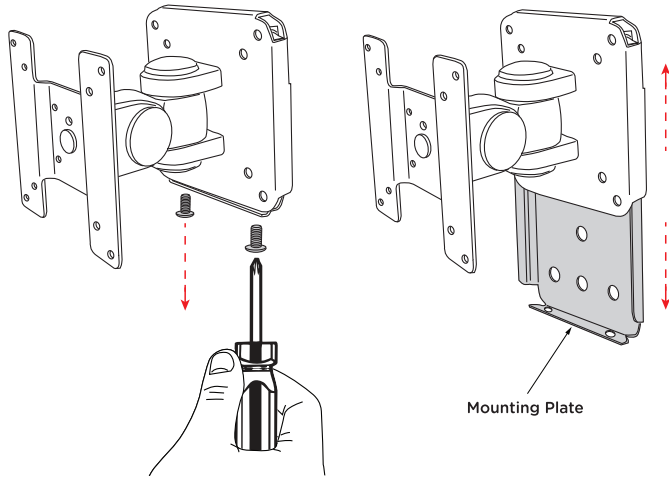
### Required Items:

- Phillips Head Screwdriver
- Drill with 5/16" Masonry Drill Bit
- Pencil
- 10mm Wrench

**⚠ Maximum Load Capacity: 35 lbs / 15 kgs ⚠**

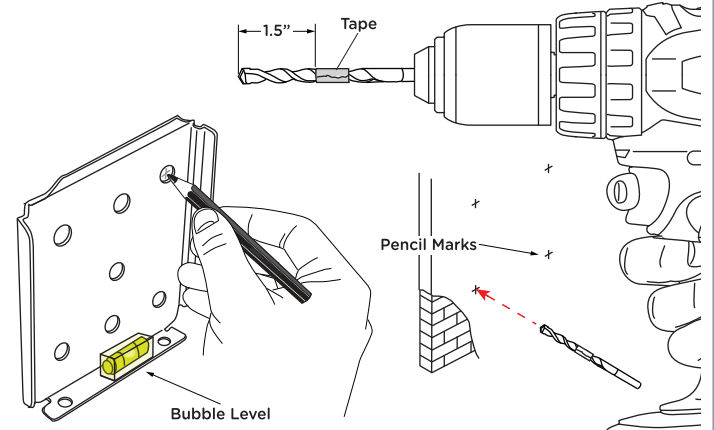
### 1. DISASSEMBLE MOUNT

Using a Phillips head screwdriver, remove the 2 screws on the bottom of the mount, then separate the mounting plate from the VESA plate.



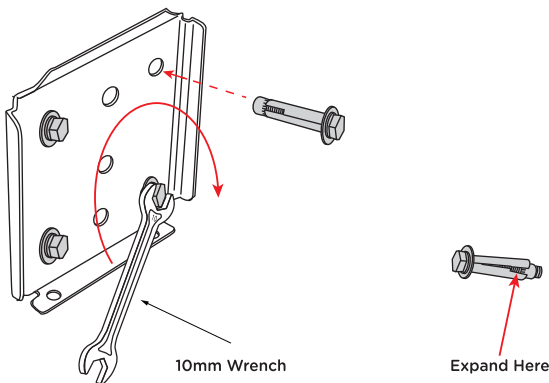
### 2. DRILL HOLES

With the bubble level placed on the mounting plate, place in the desired mounting position, and mark the holes with a pencil. With a 5/16" masonry drill bit, drill holes 1.5" deep into the mounting surface. (You can measure the depth of your drill by wrapping a piece of tape around the drill bit).



### 3. MOUNT TO WALL

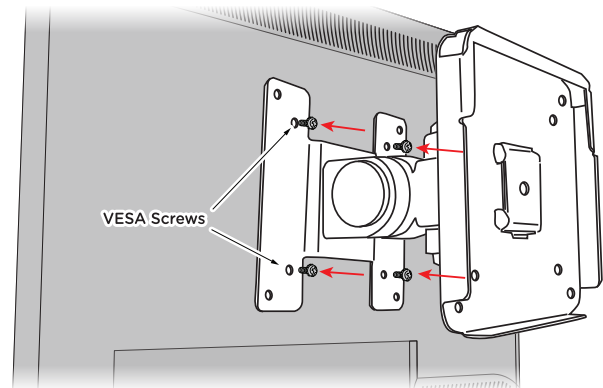
Clean the dust from the holes and then push the wall anchor expansion screw into the holes until the head of the bolt is flush against the mounting plate. Finger tighten, then use a 10mm wrench to fully secure.



*If the bolt assembly does not start to expand, remove it and gently pry the expansion sleeve open to initiate expansion in the hole.*

### 4. ATTACH MONITOR

Attach your monitor to the VESA plate using the 4 supplied VESA screws.

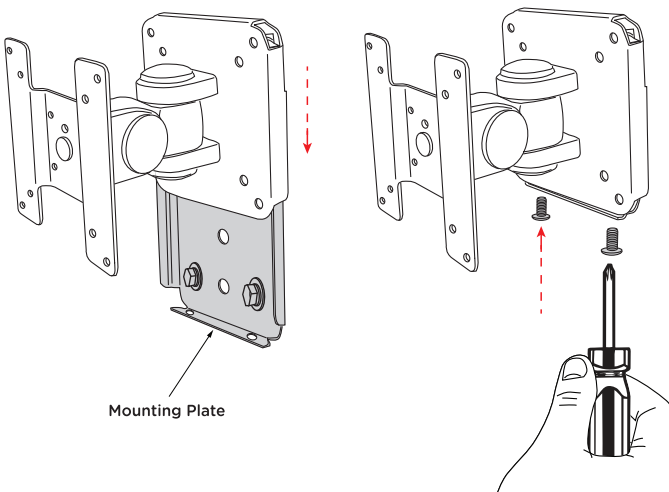


This mount is intended for use only with the maximum weights indicated. Use with products heavier than the maximum weights indicated may result in instability causing possible injury.



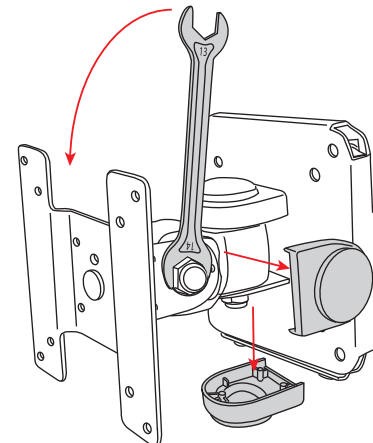
### 5. REASSEMBLE MOUNT

Slide the VESA plate piece onto the mounting plate and secure by inserting the two retaining screws that were removed in step 1.



### 6. ADJUSTMENTS

Remove the 2 plastic adjustment caps as shown below to access the two adjustment nuts. Adjust the viewing angle using the included 14mm wrench.



Replace adjustment caps when finished making adjustments.