

# CE-CPSM(B) Install Guide

- Included Items:**
- CE-CPSM(B) Swivel Mount
  - Mounting Hardware
  - 3/16" Allen Wrench
  - Safety Cable
  - Instructions

- Required Items:**
- 7/16" Crescent Wrench
  - 9/16" Crescent Wrench or Pliers

**! Maximum Load Capacity: 10 lbs / 4.5 kgs !**



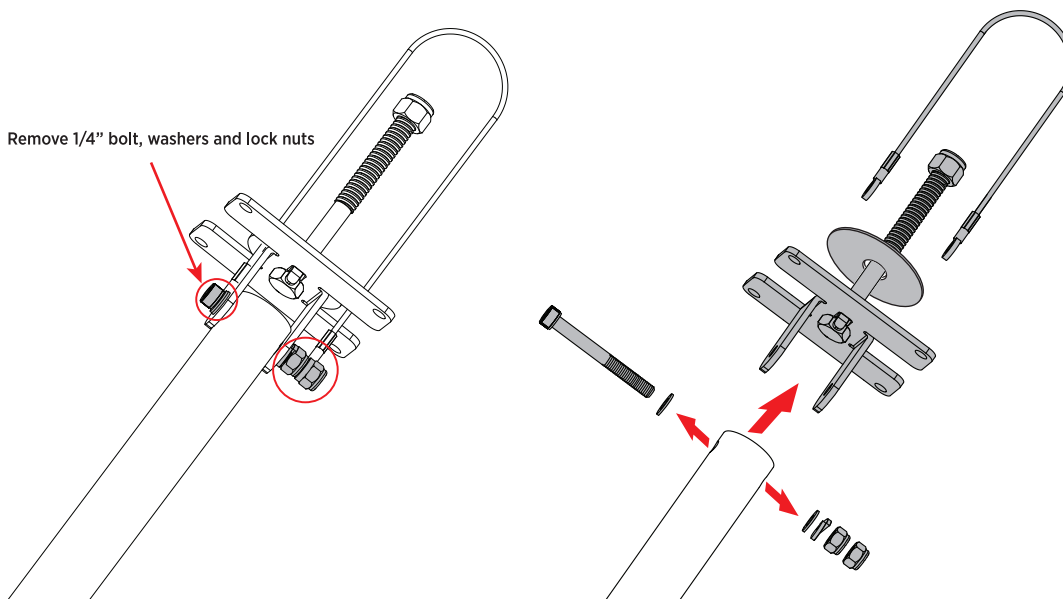
**CAUTION!**

## USE ONLY AS DESIGNED

THIS PRODUCT IS DESIGNED TO SERVE AS A SWIVELING APPARATUS TO BE USED IN CONJUNCTION WITH A CAMERA POLE MOUNT. IT IS INTENDED FOR USE ONLY WITH THE MAXIMUM WEIGHT INDICATED. USE WITH PRODUCTS HEAVIER THAN THE MAXIMUM WEIGHTS INDICATED MAY RESULT IN INSTABILITY CAUSING POSSIBLE INJURY.

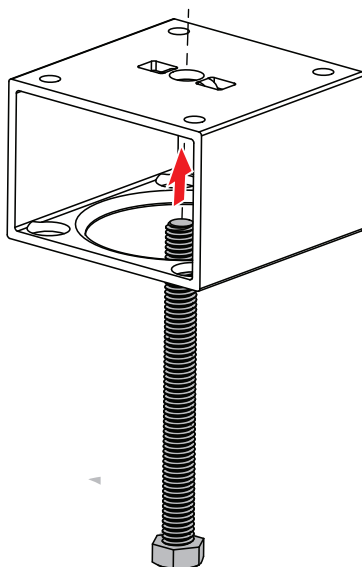
### 1. DISASSEMBLE CAMERA POLE

Using a 3/16" Allen wrench and 7/16" Crescent wrench, remove the top mounting head from the camera pole. Discard this mounting head and hardware- it is not needed when using the Swivel Mount.



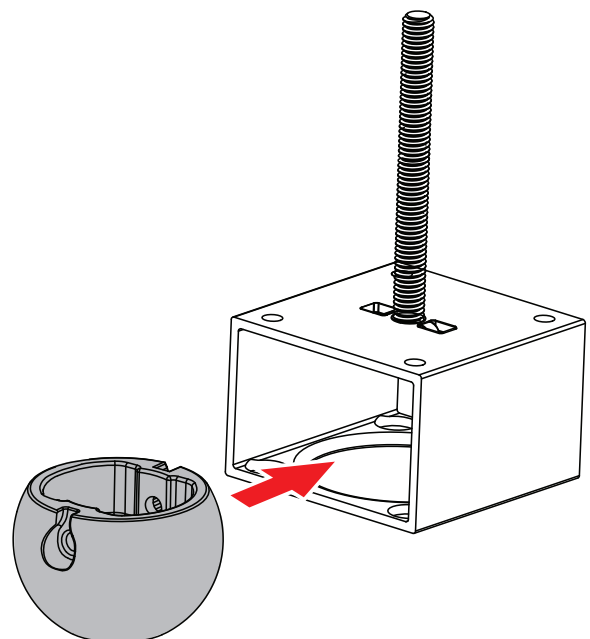
### 2. INSERT BOLT

Insert the 4" long 3/8-16 bolt into the top hole of the Box Bracket.



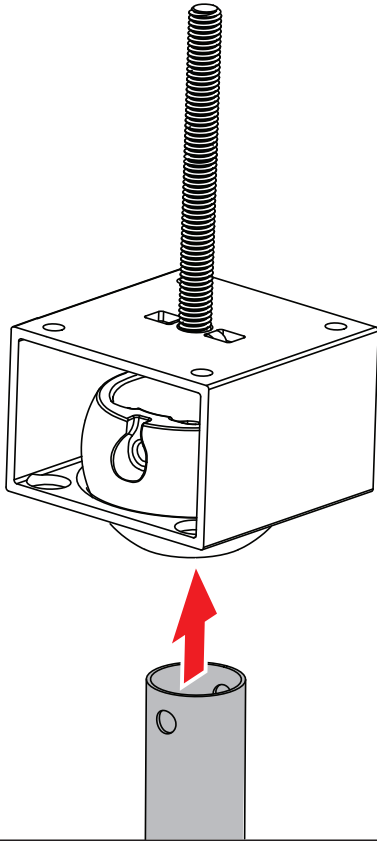
### 3. INSERT BALL

Insert the Swivel Ball into the Box Bracket.



#### 4. INSERT POLE

Insert the camera pole into the bottom hole of the Swivel Ball.

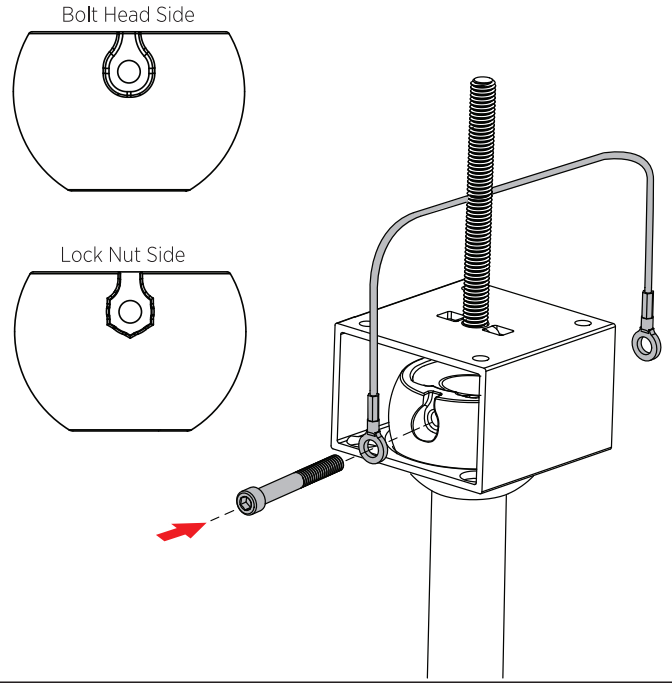


#### 5. ATTACH SAFETY CABLE & BOLT

Align one eyelet of the safety cable to the round hole side in the Swivel Ball. (The Hexagon hole side of the Swivel Ball will be used in step #7)

Insert the 1/4-20 Allen bolt through the Safety Cable eyelet, Swivel Ball, and the camera pole.

**NOTE: Leave the opposite side of the safety cable, and the lock nut off until mounted to ceiling structure.**

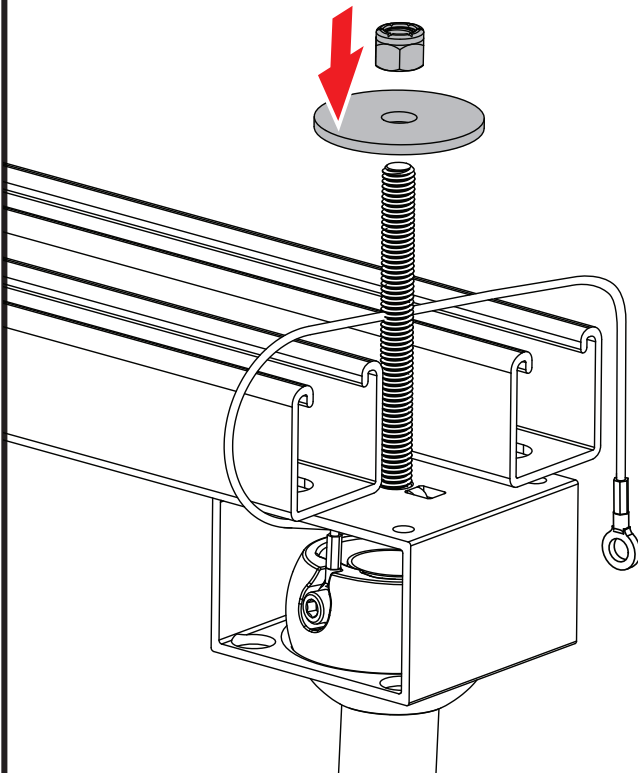


#### 6. ATTACH TO STRUCTURE

Insert the top bolt through a hole or gap in the ceiling support structure.

**NOTE: Align the mount so that the Safety Cable can loop over the ceiling support structure.**

Attach the top fender washer, and secure the top lock nut with a 9/16" Crescent Wrench or Pliers.



#### 7. SECURE SAFETY CABLE

With the Safety Cable looped over the ceiling support structure, push the eyelet of the Safety Cable into the hexagon shaped hole.

Press the lock nut into the hexagon shaped hole while pushing and turning the Allen head bolt on the opposite side.

Tighten the Allen head bolt with the 3/16" Allen wrench.

