

CE-IDX2HD(B)L

EX-SDI 2.0 Indoor True D/N IR Dome Camera

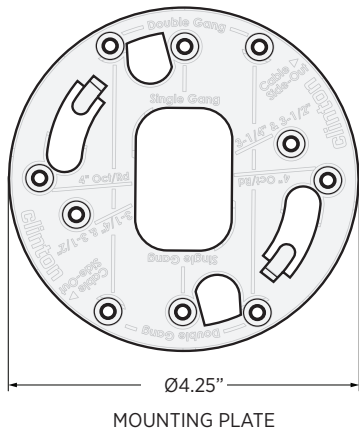
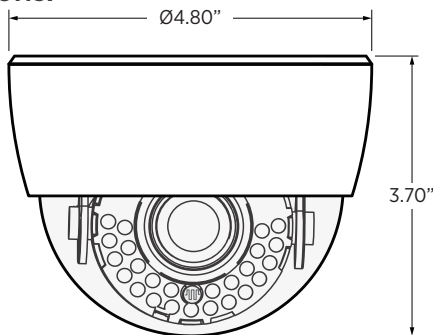


CE-IDX2HDBL (BIK)

KEY FEATURES:

- 1/2.8" SONY Starvis 2.13 Megapixel CMOS Sensor
- 1080p @ 30fps Over RG59 Coax
- 2.8-8mm (f1.6) True D/N Autofocus Lens
- 29 IR LEDs
- EX-SDI 2.0, HD-SDI & Analog option
- EXHD Lite 2.0
- OSD Menu Control via UCC*, Built-in Joystick or CE-REMOTE
- RVM** (Rated Voltage Monitoring)
- DC12V/AC24V
- UL Listed

DIMENSIONS:



MOUNTING PLATE

CAMERA	
Image Sensor	1/2.8" SONY Starvis 2.13 Megapixel CMOS Sensor
Resolution	Full HD 1080p
Effective Pixels	1944 (H) x 1092 (V)
Scanning System	Progressive Scan
S/N Ratio	More than 52dB (AGC Off)
Frame Rate	1080p_30 / 720p_30
Minimum Illumination	1 Lux (COLOR) w/ Sens-Up @ x32 0.1 Lux (B&W) w/ Sens-Up @ x32
Shutter Speed	1/30 - 1/60,000 sec. / AUTO
Lens	2.8-8mm (f1.6) Autofocus True D/N Lens
Filed of View	95° - 47.2° (Horizontal)
Video Output	1 EX-SDI 2.0 / HD-SDI Output, 1 Analog (960H) Output
Power Consumption	DC12V: 900mA ±10% AC24V: 300mA ±10%
Power Requirement	DC12V / AC24V
Operating Temperature	32°F - 113°F / 0°C - 45°C
Operating Humidity	90% RH Max.
Weather Rating	N/A - Indoor Use Only
IR LEDs	29 IR LEDs
Heaters/Fan	N/A
Materials	Plastic Case w/Polycarbonate Dome
Dimensions	4.80" (Dia.) x 3.70" (H) / 121.9mm (Dia.) x 93.9mm(H)
Weight	0.60 lbs / 0.27g

OSD	
DSP Type	EXHD - Lite 2.0
Menu Control	OSD Menu Control via UCC*, Built-In Joystick or CE-REMOTE
Exposure	Brightness, Shutter, Sens-Up, AGC
Sens-Up	Auto (x2 - x32)
White Balance	AWB, ATW, AWC-Set, Manual
Digital Dynamic Range	WDR (Digital), ACE (Adaptive Color Enhancement)
Backlight Control	HLC, BLC, WDR
Day/Night	Auto, Color, B/W, External
Noise Reduction	3DNR (Low, Middle, High)
Smart IR	Anti-Sat
Camera Title/ID	Yes (Up to 8 Characters)
Motion Detection	4 Areas
Privacy Masking	24 Zones (16 Box / 8 Polygon)
Digital Effects	Mirror, Flip, Defog
Mode Select	HD-SDI, EX-SDI (1.0), EX-SDI 2.0
Frame Rate	720p (30 fps), 1080p (30 fps)
Languages	English, Japanese, Chinese, Korean
Other	Sharpness, Color Gain, Gamma, COM. (Cam ID / Baud Rate), Freq (50Hz / 60Hz), Shading, CVBS Filter

RVM - Rated Voltage Monitoring	
LED COLOR	STATUS
GREEN	Correct Voltage (DC12V / AC24V)
RED - SOLID	Over Voltage: >29 Volts (AC24V)
RED - BLINK	Under Voltage: <10 Volts (AC24V)

ACCESSORIES	
CE-REMOTE	Plug in OSD remote
CE-IDXWB (White)	Wall Bracket for IDX Series Cameras
CE-IDXPC (White)	Pendant Cap for IDX Series Cameras
CE-IDXDPC (White)	Deep Pendant Cap for IDX Series Cameras
CE-IDXWBB (Black)	Wall Bracket for IDX Series Cameras
CE-IDXPCB (Black)	Pendant Cap for IDX Series Cameras
CE-IDXDPCB (Black)	Deep Pendant Cap for IDX Series Cameras

*UCC (Universal Coax Communication) allows camera adjustments to be made remotely through a UCC equipped DVR channel.

**RVM (Rated Voltage Monitoring) indicates correct/incorrect voltage at camera with LED indicator light. RVM helps prevent premature camera failure do to under or over-powered cameras.