

YV2.8x2.8LA-SA2L Fujinon CS Mount Lens

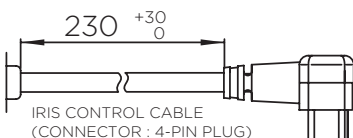
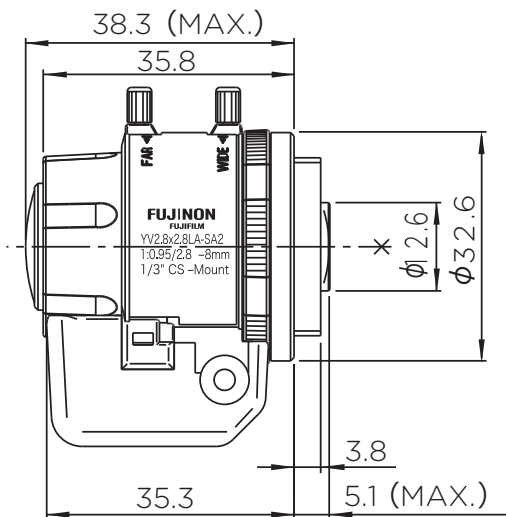
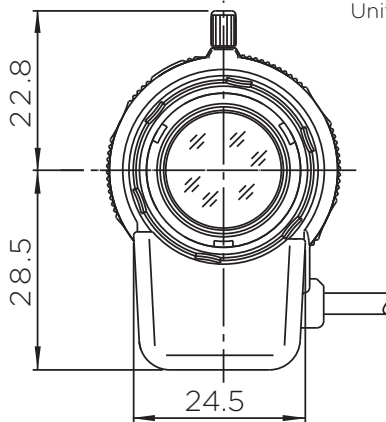


INFO:

- 2.8-8mm (2.8x)
- F0.95 - T360 (Equivalent to F360)
- Auto Iris (DC Type)
- Manual Focus
- CS-Mount

DIMENSIONS:

Unit : mm



SPECIFICATIONS:

Focal Length	2.8 - 8mm (2.8x)
Iris Range	F0.95 - T360 (Equivalent to F360)
Iris Operation	Auto, DC Type
Focus Operation	Manual
Zoom Operation	Manual
Mounting Type	CS Mount, Metal
Focusing Range	∞ - 0.3
Back Focus Distance (in air)	7.51mm
Operating Voltage	23 mA (Max.) @ DC 4V
Operating Temperature	-4°F - 140°F / -20°C - 60°C
Weight	.09 lbs / 45g
1/3" Angle of View	
Wide	99.52° × 73.17°
Tele	35.14° × 26.24°
1/4" Angle of View	
Wide	73.17° × 54.19°
Tele	26.24° × 19.47°