



## 6510/COV/S & SR ANTI-TAMPER ALARM COVER

**Reduce Exit Door Alarms**

**Stop Unauthorized Door Release**

**Local Alarm Piezo Sounder**

**Optional Remote Alarm Output**



### **Cover Deters Unauthorized Door Release**

This unique device will deter unauthorized door openings without restricting emergency egress when used with the 6510-S35 Emergency Pull Station. The cover with sounder 6510/COV/S can reduce false alarms through its pre-alarm local audible warning. Ideal for installation in schools, hospitals, nursing homes, stores, hotels and public buildings of almost every kind. Model 6510/COV/SR in addition to the sounder incorporates a SPDT alarm output for remote monitoring.

### **Heavy Duty Construction**

The 6510/COV/S Anti-Tamper Alarm Cover consists of a clear, tamper proof, super tough polycarbonate shield and frame that fits over the 6510-S35 Emergency Pull Station. When utilizing the 6510/COV/S a local alarm sounds when the clear plastic cover is lifted to gain access to the Emergency pull handle for door release. A piercing alarm sounds which is field selectable for 95 dB or 105 dB. Immediate attention is drawn to the area and a prankster will either run or be caught. When the cover is lifted, the horn will sound until the cover is lowered back into the closed position.

### **Battery or On-line Low Voltage Power**

The 6510/COV/S & /SR covers can operate independently from a standard 9-volt battery or may be powered remotely with 12/24 VDC. (optional wiring harness required)

### **Alarm Interface**

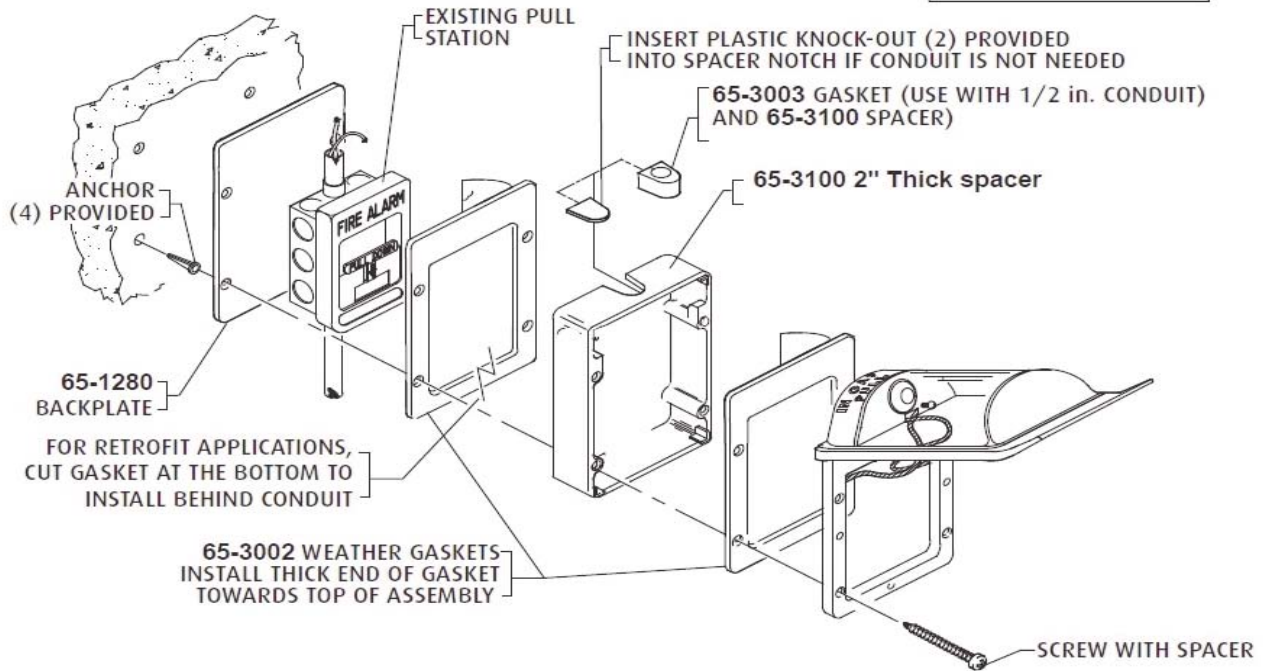
The 6510/COV/SR with Piezo sounder includes a relay with SPDT contacts which is energized whenever the cover sounder is activated by lifting. This output can be used to alert other remote systems. When used with the 6510-S35xCS pull, the on-board SPDT relay can be used to activate the optional built-in xCS sounder of the pull station. This will cause both sounders to activate while the cover is lifted. If the pull handle is operated, the optional pull station sounder will continue to sound, even if the plastic cover is closed, requiring authorized personnel to respond & reset the handle on the 6510-S35xCS

### **Emergency Pull Station Operation**

When the Emergency handle is pulled on the 6510-S35, lock power is cut from the door lock by a SPDT switch. A second set of SPDT contacts is also simultaneously switched to allow communication with an alarm monitoring station such as a card access system.

# 6510/COV/S & SR ANTI-TAMPER ALARM COVER

**SURFACE MOUNT  
WITH OPTIONS**



## Specifications:

### Dimensions

6510/COV/S & SR (all models)  
7-1/4" wide x 10-1/4" high x 3-1/4" deep  
(add 2" depth for 65-3100 surface spacer)

### Electrical

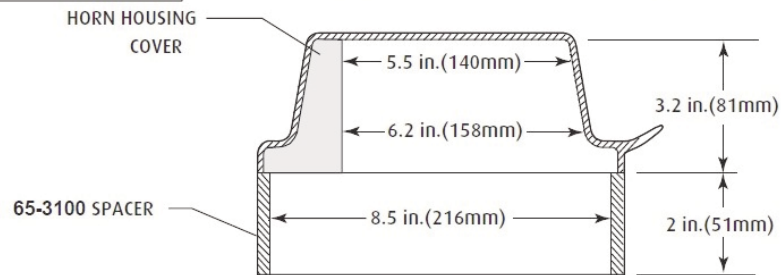
6510/COV/S (With Sounder)  
Standard power source is 9 VDC alkaline battery; (included)

### 6510/COV/SR (With sounder/Relay)

Includes form "c" alarm relay output with contacts rated 1 amp @ 30 VAC/VDC  
Standard power source is remote 12/24 VDC power source. Unit can also be powered from a 9 VDC alkaline battery. (included)

All units have standard blue highlight with white lettering  
"EMERGENCY EXIT ONLY".

**EXTERIOR DIMENSIONS**  
· Flush 7.2 W x 10.2 H x 3.3 D in. (183x259x84mm)  
· Surface 7.2 W x 10.2 H x 5.5 D in. (183x259x140mm)



**SIDE VIEW  
INTERIOR DIMENSIONS**

### Optional Sounder

Field selectable 90 db or 105 db horn at one foot

### Plexiglass Cover

Polycarbonate tested for -40 F to 120 F  
Clear cover UV-stabilized

### Approvals/Testing:

UL/cUL Listed No. S2466  
Factory Mutual No. OG6A2.AY  
State of California  
New York City Board of Standards  
No. 947-81-SA  
ADA Compliant (UL Certified No. S2466)



**1668 SAG HARBOR TURNPIKE, SAG HARBOR, NY 11963**  
www.dortronics.com - (800) 906-0137 - (631) 725-8148 FAX