



6510 SERIES ANTI-TAMPER ALARM COVER

Reduce Exit Door Alarms

Stop Unauthorized Door Release

Local Alarm Piezo Sounder

Remote Alarm Output



Cover Deters Unauthorized Door Release

This unique device will deter unauthorized door openings without restricting emergency egress when used with the 6510/xx-S35 Emergency Pull Station. The cover with sounder option can also stop false alarms through its pre-alarm local sounder action. Ideal for installation in schools, hospitals, nursing homes, stores, hotels and public buildings of almost every kind.

Heavy Duty Construction

The 6510/COV Anti-tamper Alarm Cover consists of a clear, tamperproof, super tough polycarbonate shield and frame that fits over the 6510/xx-S35 Emergency Pull Station. When the clear plastic cover is lifted to gain access to the pull handle for door release, it sounds a piercing 95 dB or 105 dB warning horn. Immediate attention is drawn to the area and a prankster will either run or be caught. The cover is connected to the frame by a cable. When the cover is lifted, it hangs off of the frame and the horn will sound until the cover is snapped back onto the frame.

Battery or On-line Low Voltage Power

The 6510/COV/S can operate independently from a standard 9-volt battery or 12/24 VDC.

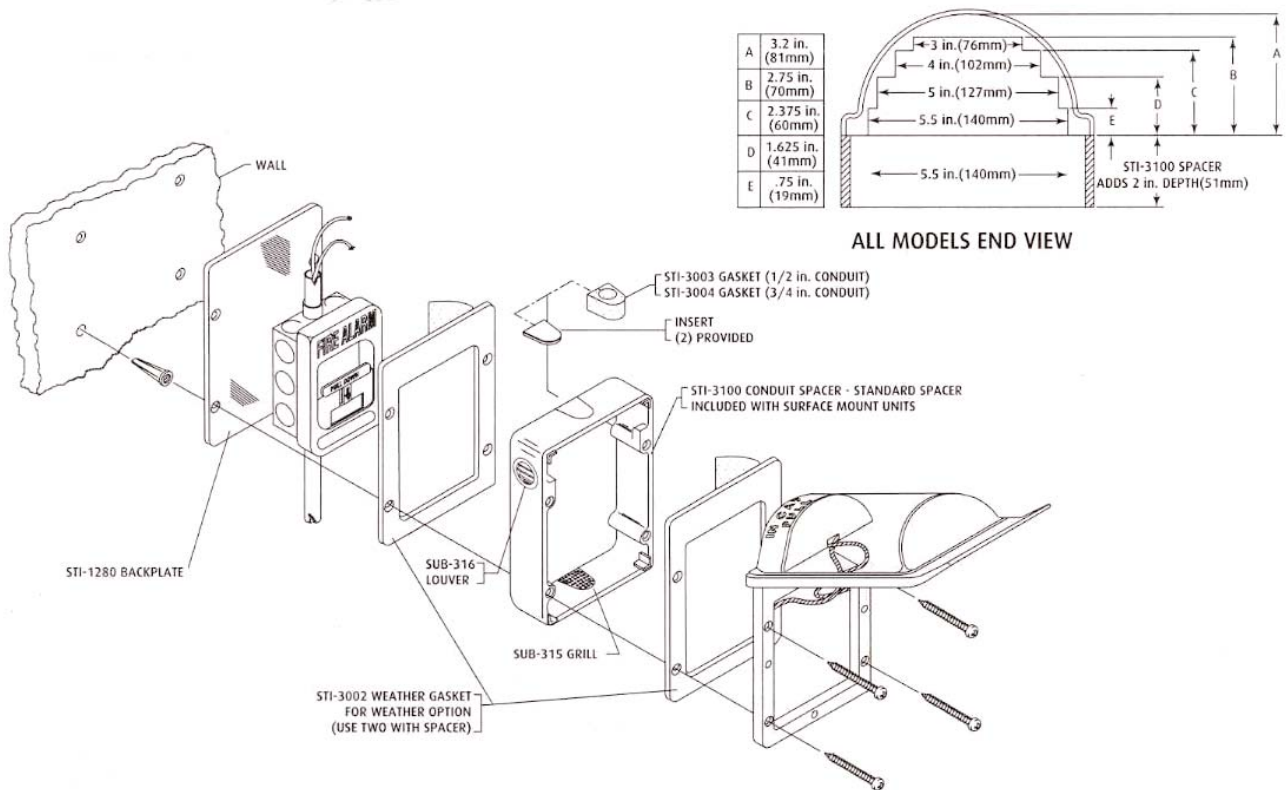
Emergency Pull Station Operation

When the pull handle is activated, lock power is switched from the door lock over to the CS (optional) sounder by a SPDT switch. A second set of SPDT contacts is also switched to allow communication with an alarm monitoring system such as a card access system.

Alarm Interface

The 6510/COV/S includes a relay with SPDT contacts which is energized whenever the cover sounder is activated. This output can be used to alert other remote systems. When used with the 6510/xx-S35xCS, the on-board SPDT relay can be used to activate the optional built-in sounder of the pull station. This will cause both sounders to activate while the cover is lifted. If the pull handle is operated, the optional pull station sounder will continue to sound, even if the plastic cover is closed.

6510 SERIES ANTI-TAMPER ALARM COVER



Specifications:

Dimensions

6510/COV - 5-1/2" wide x 8-1/2" high x 2-1/2" deep
 6510/COV/S - 7" wide x 10" high x 3-1/4" deep

Electrical (6510/COV/S)

Standard power source is 9 VDC alkaline battery. Unit can also be powered from a remote 12/24 VDC power source (such as maglock power). Includes alarm relay output with contacts rated 1 amp @ 30 VAC/VDC

Optional Sounder

Field selectable 90 db or 105 db horn at one foot

Plexiglass Cover

Polycarbonate tested for -40 F to 120 F
 Clear cover UV-stabilized

Models:

6510/COV - Clear plexiglass anti-tamper top-hinged cover for 6510 series emergency pull station
 6510/COV/S - Clear plexiglass anti-tamper top-hinged cover with built-in sounder & alarm relay output

Approvals/Testing:

UL/cUL Listed No. S2466
 Factory Mutual No. OG6A2.AY
 State of California
 New York City Board of Standards No. 947-81-SA
 ADA Compliant (UL Certified No. S2466)

Description:

Proven effective in helping to stop unauthorized door release without restricting emergency egress. Can also be used as a guard against physical damage to the 6510/xx-S35 emergency pull station.

Clear, tamperproof, super-tough polycarbonate shield and frame fits over 6510/xx-S35 pull station. Cover is UV-stabilized against sun deterioration.

Units have standard blue highlight with white lettering "EMERGENCY EXIT ONLY".