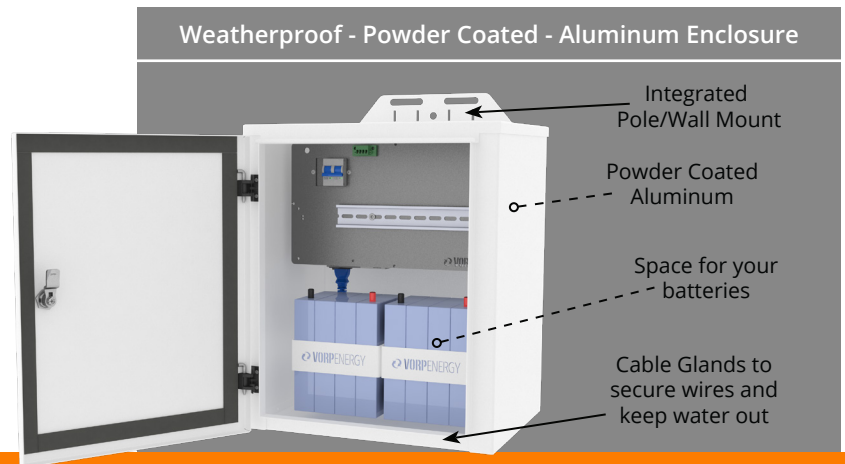
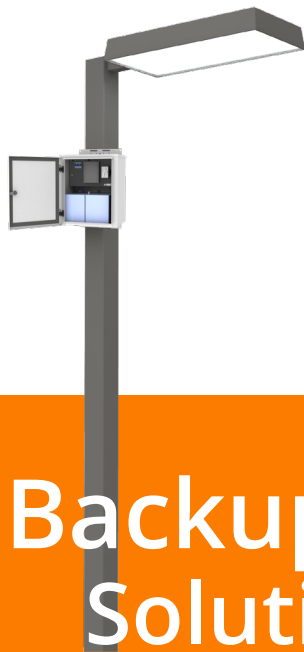


# Uninterruptible Outdoor Power Supply - UPS

A low profile, affordable, weatherproof solution that gives you reliable, 24/7 power for all types of equipment in any environment. Many different voltage & output options available.



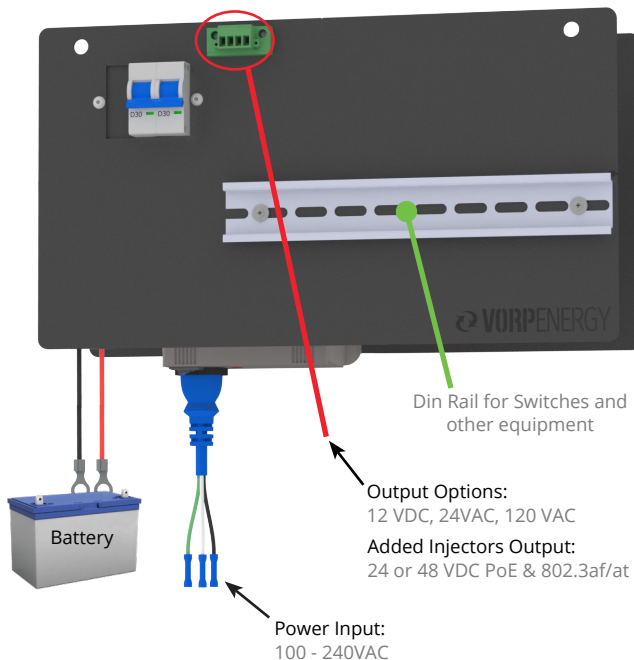
## Backup Power Solutions

### Popular Applications

- **Light Poles** - When you have temporary electricity during a 24 hour period a UPS gives you consistent regulated power by charging batteries when you have power and releasing it when you do not.
- **Inconsistent Power** - If you require your equipment to run 24/7 and can not afford downtime, a UPS will give you that uninterrupted, clean, reliable power.

### UPS Faceplate from inside enclosure

(See options on next page)



### KBC UPS Benefits

- Engineered to work with Lithium Phosphate and Sealed Lead Acid (AGM / Gel) batteries (not included)
- Field Proven / Compact / Rugged
- Indoor / Outdoor / Underground use
- Solar as a backup option available
- Up to 5 days of backup time available
- Add-On Power Output Options:  
(18, 24, 48, 56V PoE), (12, 24, 48, 56 VDC), (24 VAC)  
(120 - 240VAC) power options available



### KBC Networks

15 Brookline  
Aliso Viejo, CA 92656  
Phone : + (949)297-4930  
E-Mail : sales@kbcnetworks.com

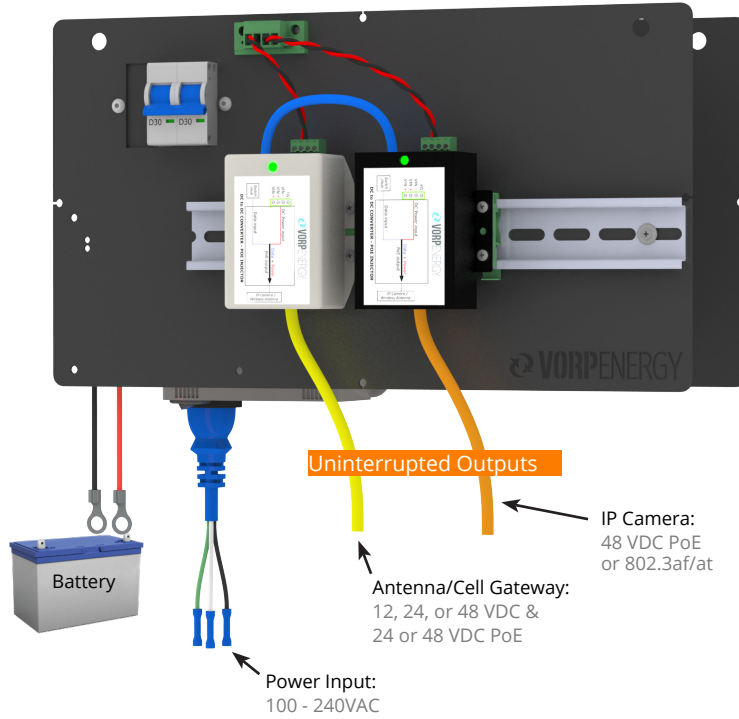
A Simple "Plug and Play" Design. Just connect your high voltage (100-240VAC) power source to the input wires in the enclosure and plug your equipment in for continuous uninterrupted power.



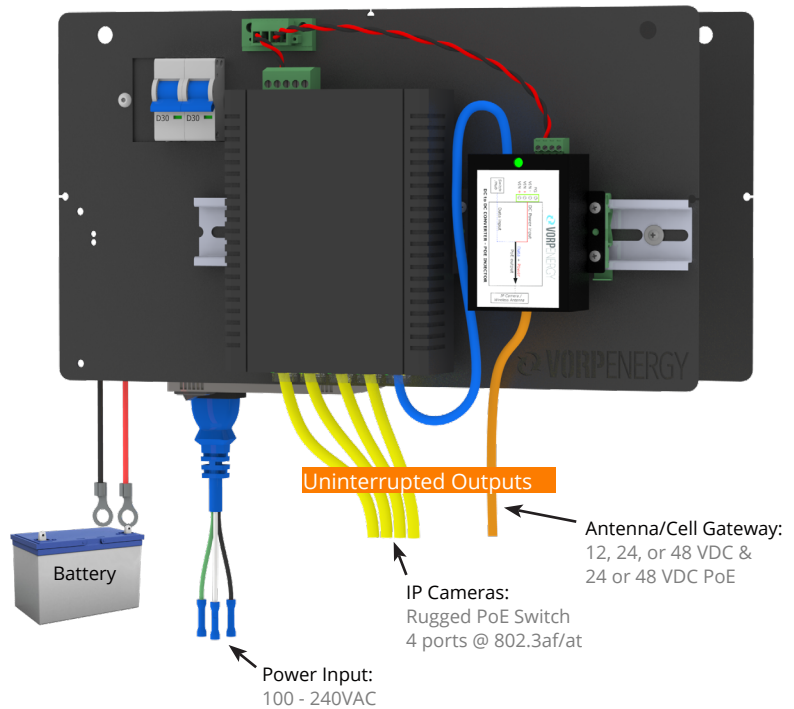
## - Wireless Surveillance Solutions (Examples)


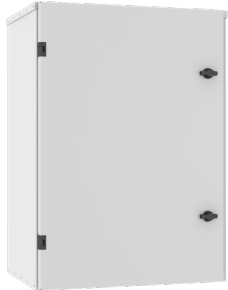
Note: Most IP cameras without heaters and blowers are powered by the 802.3af (AF) standard. Most PTZ's will require 802.3at (AT) or 24 VAC to power due to the heater & blower.

Uninterruptible Power for (1) Camera & (1) Antenna



Uninterruptible Power for (4) Cameras & (1) Antenna



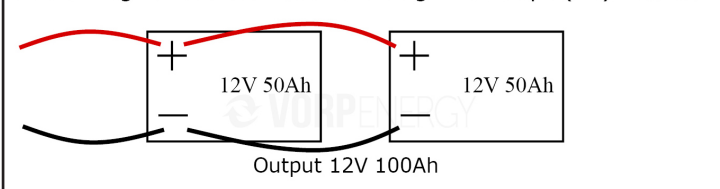
|                                   |  |          |          |   |          |          |
|-----------------------------------|--|----------|----------|---|----------|----------|
|                                   |   |          |          |  |          |          |
| <b>Enclosure Specs</b>            | <b>UAL2-</b>   |          |          | <b>UAL5-</b>  |          |          |
| <b>Enclosure Size (Inches)</b>    | <i>H</i>   | <i>W</i> | <i>D</i> | <i>H</i>  | <i>W</i> | <i>D</i> |
|                                   | 21.5"  | 16"      | 13"      | 30"   | 22"      | 13"      |
| <b>Enclosure Weight</b>           | 13 LBS   |          |          | 33 LBS  |          |          |
| <b>Material</b>                   | Powder Coated Aluminum   |          |          |   |          |          |
| <b>Lockable</b>                   | Lockable with Padlock (Padlock not Included) or Locking Wing-Knob (Sold Seperate)  |          |          |   |          |          |
| <b>Mounting System</b>            | Integrated Mounting System (Included)  |          |          |   |          |          |
| <b>Recommended Pole Size</b>      | 4" to 6" Schedule 40 Ridged Metal Pole   |          |          |   |          |          |
| <b>Battery Charge Controller</b>  | 12 VDC @ 24 Amp or 24 VDC @ 12Amp, Preinstalled Advanced Charge Algorithm based on Zone with 3 Stage (Bulk - Absorption - Float) |          |          |   |          |          |
| <b>* Lithium Battery Capacity</b> | 240 Ah Equal to ~ 480 Ah of SLA  |          |          | 480 Ah Equal to ~ 960 Ah of SLA   |          |          |
| <b>SLA Battery Capacity</b>       | (2) 100 Ah Batteries   |          |          | (2) 250 Ah Batteries  |          |          |
| <b>Operating Temp</b>             | -40° C to +60° C (-40° F to +140° F)<br>Batteries can lose up to 50% of power in temperatures below -0° F                        |          |          |   |          |          |

\* Energy available in Lithium is about double that of Sealed Lead Acid do to the fact that you can use 80-90% of stored power in a Lithium battery but only 50% in a Sealed Lead Acid Battery.

| Complete Kit Part #                 | UAL2-12  | UAL5-12 | UAL2-24  | UAL5-24 |
|-------------------------------------|--|---------|----------|---------|
| <b>DC Output</b>                    | 12VDC  |         | 24VDC    |         |
| <b>AC Input Range</b>               | 115VAC (90-132VAC) or 230VAC (180-264VAC) - Selectable by Switch |         |          |         |
| <b>12V Battery Connection</b>       | Parallel   |         | Series   |         |
| <b>Input Battery Charge Current</b> | 24 Amp   |         | 12.5 Amp |         |

## Connecting Batteries - Series vs Parallel

Connecting in **Parallel** - Same Voltage but Amps (Ah) Double



Connecting in **Series** - Doubles Voltage but Amps (Ah) stay the same

