

# SR Series

## PIVOTING RACK

pivoting rack enclosures are designed to mount to the wall, while the base provides additional support and cable management facilities

### FEATURES:

- Available in 23.5" and 29" widths
  - 29" width includes front vertical cable managers
  - 22", 28" and 32" depths
- Tool-free Quick-Mount™ system allows for easy mounting of the center section to the backpan on the job site
- Optional minimum-clearance latch allows side-by-side or corner mounting to save room
- Bottom cable entry platform provides attractive shroud to conceal conduit stubs
- Low-friction wear strip on bottom platform allows rack to swing open easily
- Adjustable 10-32 threaded front rackrail with marked rackspace increments, rear rackrail optional
- Easily removable laser knockouts accommodate conduit, UHF/VHF antennas, Wiremold® 4000 Series raceways, Middle Atlantic Products Universal Connector Panels, electrical pull-box
- Durable black textured powder coat finish
- UL Listed in the US and Canada
- Seismic certified (when used with DWRSR-ZL latch) with an Importance factor (Ip) value of 1.5

Backpan



Center Section

SR-40-22

### SPECIFICATIONS:

EIA compliant 19" pivoting equipment rack shall be Middle Atlantic Products model # SR-\_\_-\_\_ (refer to chart) and shall have \_\_ useable rackspaces and a useable depth of \_\_ (refer to chart). Overall dimensions of rack shall be \_\_H x \_\_" W x \_\_D (refer to chart). SR shall have a 500 lb. weight capacity. Tool-free Quick-Mount™ system shall simplify installation. Rack shall be constructed of the following materials: top, base, center section and backpan shall be steel and all structural elements shall be finished in a durable black powder coat. Adjustable rackrail shall have tapped 10-32 holes in universal EIA spacing, finished in a durable black e-coat with marked rackspaces. Rack shall have 2", 3" and 4" electrical knockouts and BNC knockouts for UHF/VHF antennas. Large laser knockout on backpan shall have a 12-1/2" x 12-1/2" opening for electrical pull-box. Fan knockouts on top and bottom shall allow installation of 4-1/2" fans (23-1/2" width models) or 6" fans (29" width models). Rack shall include 2", 3" and 4" knockouts for Wiremold® 4000 Series raceways and knockouts for Middle Atlantic Products Universal Connector Panels. Bottom shall have a cable entry platform with removable 4 rackspace front access cover and conceal conduit stubs. 29" Width SR Series shall include 4" cable management fingers mounted to front rail. SR Series enclosures shall satisfy the 2007, 2010, and 2013 CBC; 2006, 2009 & 2012 IBC; ASCE 7-05 (2005 Edition) & ASCE 7-10 (2010 Edition for use in areas of high seismicity, with lateral force requirements for protecting 277 lbs. of essential equipment in locations with the highest level of seismicity and top floor or rooftop installations with an Importance factor (Ip) of 1.5 when used with DWRSR-ZL Latch. Rack shall be UL Listed in the US to the UL-2416 (NWIN) and Canada to CSA C22.2, No. 60950-1 when used with optional bonding kit, model # PET-K-\_\_. SR Series shall be GREENGUARD Gold Certified. SR Series shall be RoHS EU Directive 2011/65/EU compliant. SR shall be manufactured by an ISO 9001 and ISO 14001 registered company. Rack shall be warrantied to be free from defects in material or workmanship under normal use and conditions for the lifetime of the rack.

Customizable specification clips available at [middleatlantic.com](http://middleatlantic.com)

### OPTIONS:

- Front doors shall be reinforced steel, model # FD\_-XX (solid), PFD\_-XX (plexi), VFD-XX (vented, 22% open area), LVFD\_-XX (vented, 68% open area), XX=# of rackspaces
- Keyless latch to replace key lock on front door shall be model # LATCH
- Kit for mounting UPS in base of SR shall be SR-UPS-BKT
- Fan Kit with Vent Blockers shall be DWR-FK\_ and provide 190 CFM for 23-1/2" width models, SR-28-FK6-32 and provide 440 CFM for 29" width models
- Rear rail kit for 23-1/2" width models shall be model # DWR-RRXX, for 29" width models, SR28-RRXX, 10-32 Threaded, sold in pairs, hardware included, XX=# of rackspaces
- Sub-plate mounting kit shall be model # SR-SUB. SR-SUB shall mount up to (4) 89-D type brackets, (4) 1900 boxes or (1) Raco 3 gang box. SR Series pivoting racks can mount up to 4 SR-SUB sub-plate mounting kits (2 for 24 space models)
- Minimum-clearance latch shall allow side-by-side or corner mounting, shall be model # DWRSR-ZL
- Gland grommet for 4" electrical knockouts at top of SR shall be model # GK-4G. 4 pieces
- Optional bonding kit for UL-2416 (NWIN) compliance shall be Middle Atlantic Products PET-K-SR (for backpan to center section), PET-K-FD (for front door to center section), PET-K-DWRFK (for fan kit to center section)
- 4" Vertical cable management fingers for 29" width SR shall be SR-IVCMF-XX, shall include a single piece, XX= #of rackspaces



PRODUCT CERTIFIED FOR LOW CHEMICAL EMISSIONS  
UL.COM/GG  
UL 2818

WHAT GREAT SYSTEMS ARE BUILT ON.™

A brand of Legrand

Middle Atlantic Products  
[middleatlantic.com](http://middleatlantic.com) | [middleatlantic.ca](http://middleatlantic.ca)

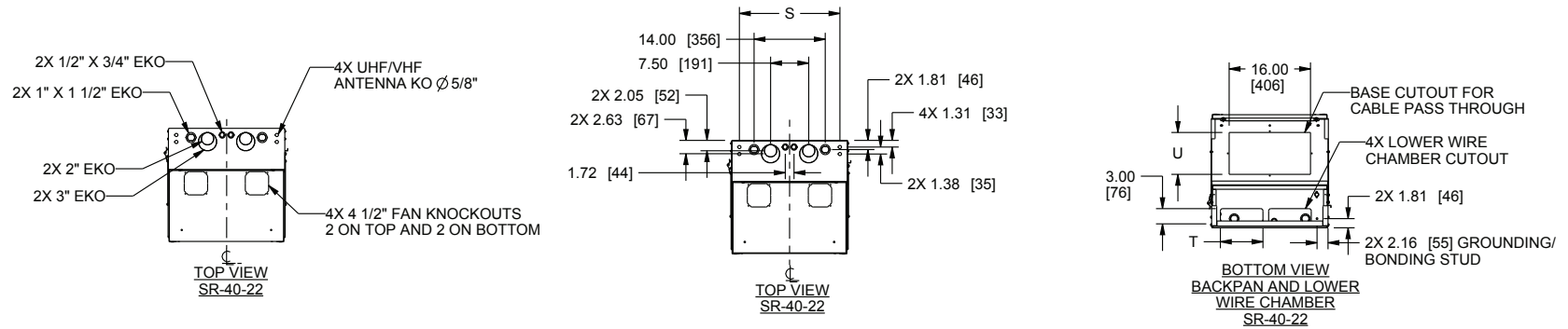
96-045B / Rev q / 1-4-18



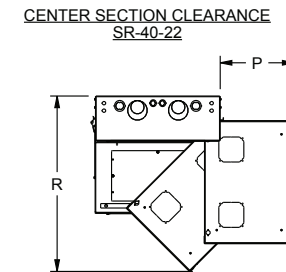
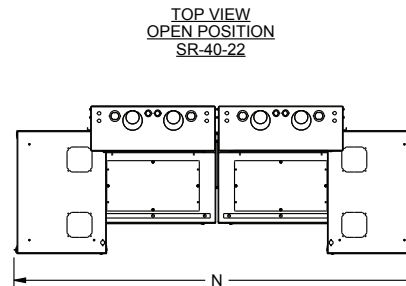
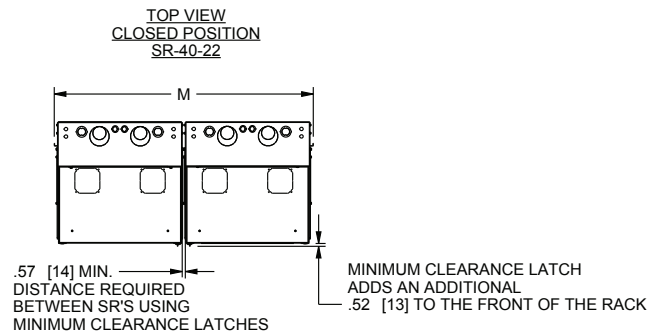
# SR Series

## BASIC DIMENSIONS

NOTE(S):  
1) ALL DIMENSIONS IN FORMAT:  
INCHES [MILLIMETERS]



MODEL #	GANGABLE CLOSED WIDTH M	GANGABLE OPEN WIDTH N	CENTER SECTION CLEARANCE WIDTH P	CENTER SECTION CLEARANCE DEPTH R	UFH/VHF ANTENNA KO WIDTH S	LOWER WIRE CHAMBER CUTOUT WIDTH T	BASE CUTOUT DEPTH FOR CABLE PASS THROUGH U
SR-24-28	47.56 [1208]	86.53 [2198]	19.56 [497]	36.50 [927]	19.77 [502]	8.375 [213]	14.25 [362]
SR-24-32	47.56 [1208]	94.53 [2401]	23.56 [598]	39.60 [1006]	19.77 [502]	8.375 [213]	14.25 [362]
SR-40-22	47.56 [1208]	74.53 [1893]	13.56 [344]	32.50 [826]	19.77 [502]	8.375 [213]	8.25 [210]
SR-40-28	47.56 [1208]	86.53 [2198]	19.56 [497]	36.50 [927]	19.77 [502]	8.375 [213]	14.25 [362]
SR-40-32	47.56 [1208]	94.53 [2401]	23.56 [598]	39.60 [1006]	19.77 [502]	8.375 [213]	14.25 [362]
SR-46-28	47.56 [1208]	86.53 [2198]	19.56 [497]	36.50 [927]	19.77 [502]	8.375 [213]	14.25 [362]



WHAT GREAT SYSTEMS ARE BUILT ON.™

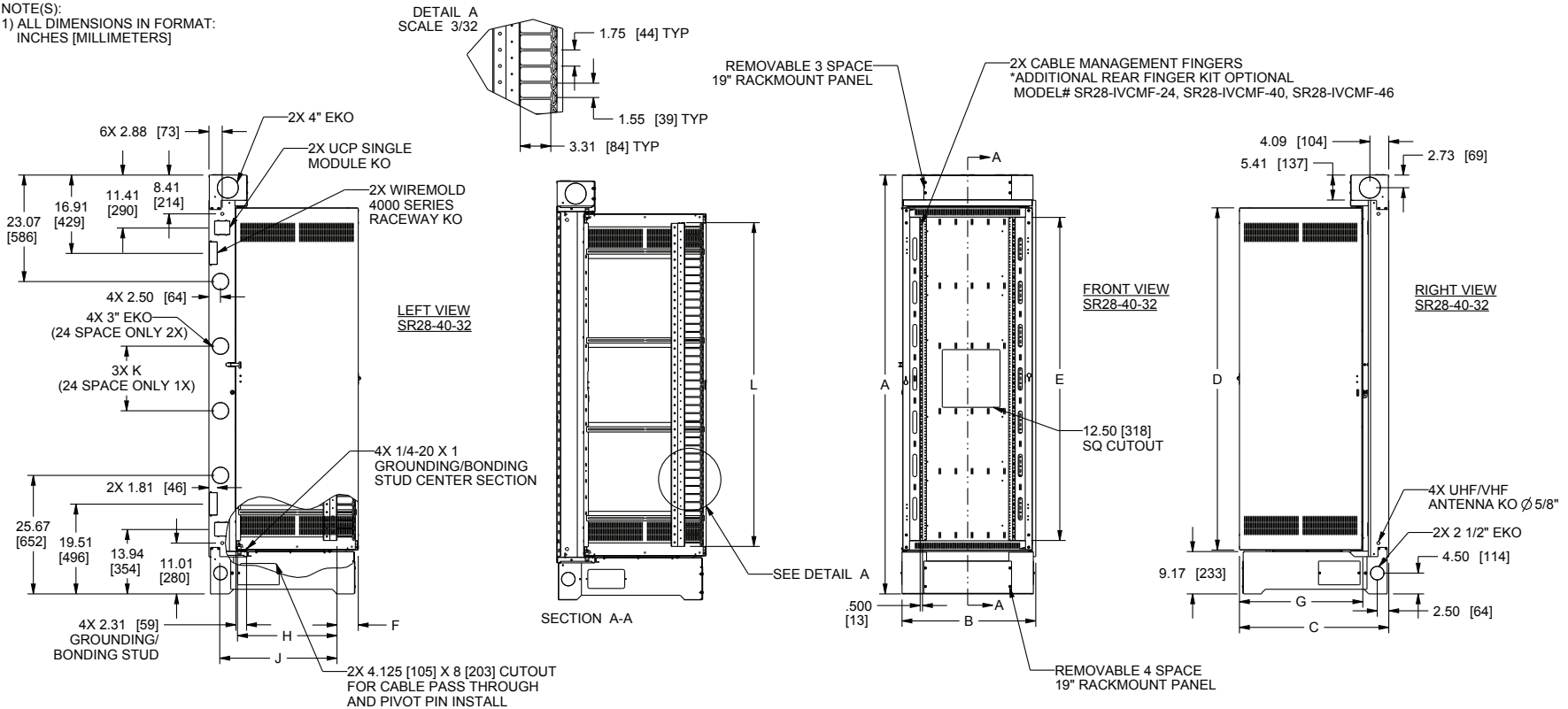
A brand of **legrand**

**MA**  
Middle Atlantic Products  
middleatlantic.com | middleatlantic.ca

# SR Series

## BASIC DIMENSIONS

NOTE(S):  
1) ALL DIMENSIONS IN FORMAT:  
INCHES [MILLIMETERS]



MODEL #	OVERALL HEIGHT A	OVERALL WIDTH B	OVERALL DEPTH C	CENTER SECTION HEIGHT D	RACKING HEIGHT E	RACK SPACES	FRONT RAIL SETBACK F	CENTER SECTION DEPTH G	RAIL TO RAIL DEPTH WHEN REAR MOUNTING IS REQUIRED *	USABLE DEPTH OF EQUIPMENT J	3" EKO SPACING K	CABLE MANAGEMENT FINGERS HEIGHT L
SR28-24-32	62.75 [1594]	28.97 [736]	32.34 [821]	46.13 [1172]	42.00 [1067]	24 SPACES	4.54 [115]	26.50 [673]	21.67 [550]	25.50 [648]	14.00 [356]	42.00 [1067]
SR28-40-32	90.75 [2305]	28.97 [736]	32.34 [821]	74.13 [1883]	70.00 [1778]	40 SPACES	4.54 [115]	26.50 [673]	21.67 [550]	25.50 [648]	14.00 [356]	69.93 [1776]
SR28-46-32	101.25 [2572]	28.97 [736]	32.34 [821]	84.63 [2150]	80.50 [2045]	46 SPACES	4.54 [115]	26.50 [673]	21.67 [550]	25.50 [648]	17.50 [445]	79.46 [2018]

\*NOTE: REAR RAIL IS OPTIONAL  
MODEL# SR28-RR24, SR28-RR40, SR28-RR46

WHAT GREAT SYSTEMS ARE BUILT ON.™

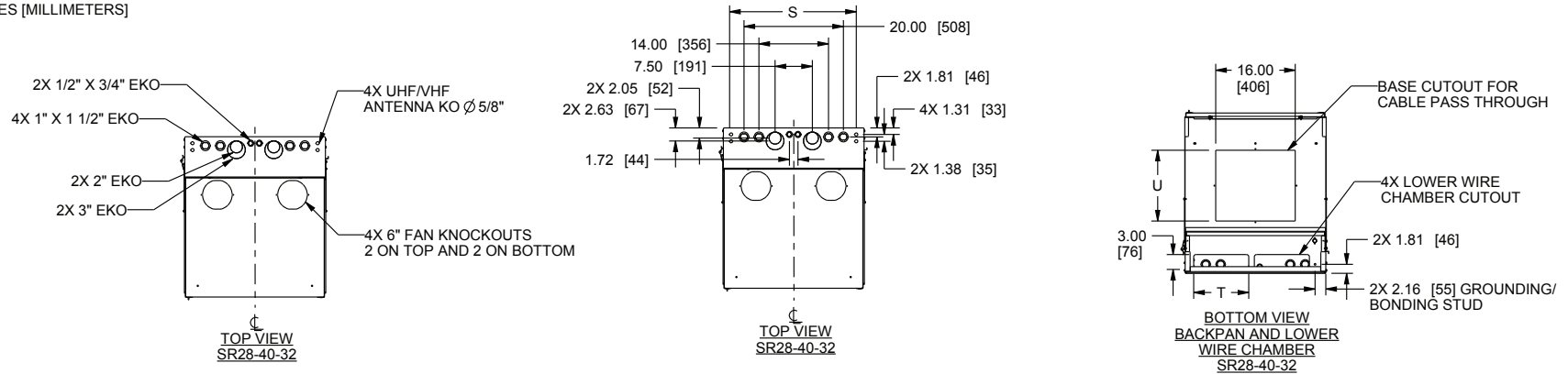
A brand of **legrand**

**MA**  
Middle Atlantic Products  
middleatlantic.com | middleatlantic.ca

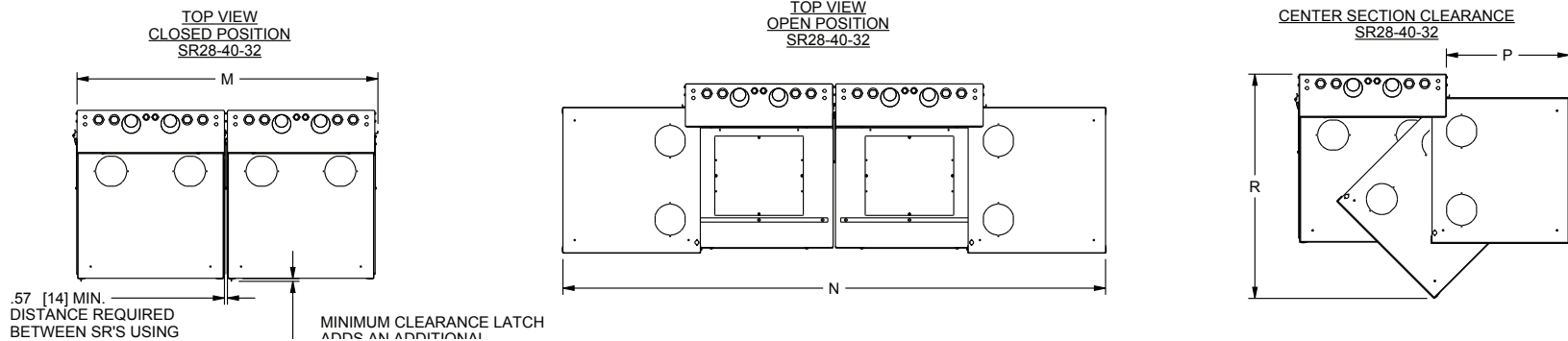
# SR Series

## BASIC DIMENSIONS

NOTE(S):  
1) ALL DIMENSIONS IN FORMAT:  
INCHES [MILLIMETERS]



MODEL #	GANGABLE CLOSED WIDTH M	GANGABLE OPEN WIDTH N	CENTER SECTION CLEARANCE WIDTH P	CENTER SECTION CLEARANCE DEPTH R	UHF/VHF ANTENNA KO WIDTH S	LOWER WIRE CHAMBER CUTOUT WIDTH T	BASE CUTOUT DEPTH FOR CABLE PASS THROUGH U
SR28-24-32	58.37 [1483]	105.23 [2673]	23.56 [598]	43.01 [1095]	25.49 [647]	11.08 [281]	14.25 [362]
SR28-40-32	58.37 [1483]	105.23 [2673]	23.56 [598]	43.01 [1095]	25.49 [647]	11.08 [281]	14.25 [362]
SR28-46-32	58.37 [1483]	105.23 [2673]	23.56 [598]	43.01 [1095]	25.49 [647]	11.08 [281]	14.25 [362]



WHAT GREAT SYSTEMS ARE BUILT ON.™

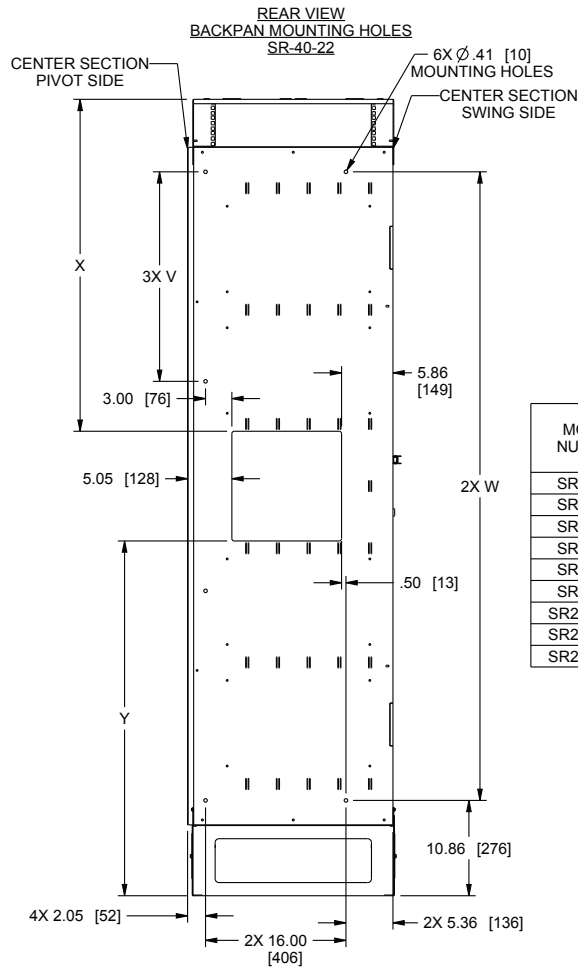
A brand of **legrand**

**MA**  
Middle Atlantic Products  
middleatlantic.com | middleatlantic.ca

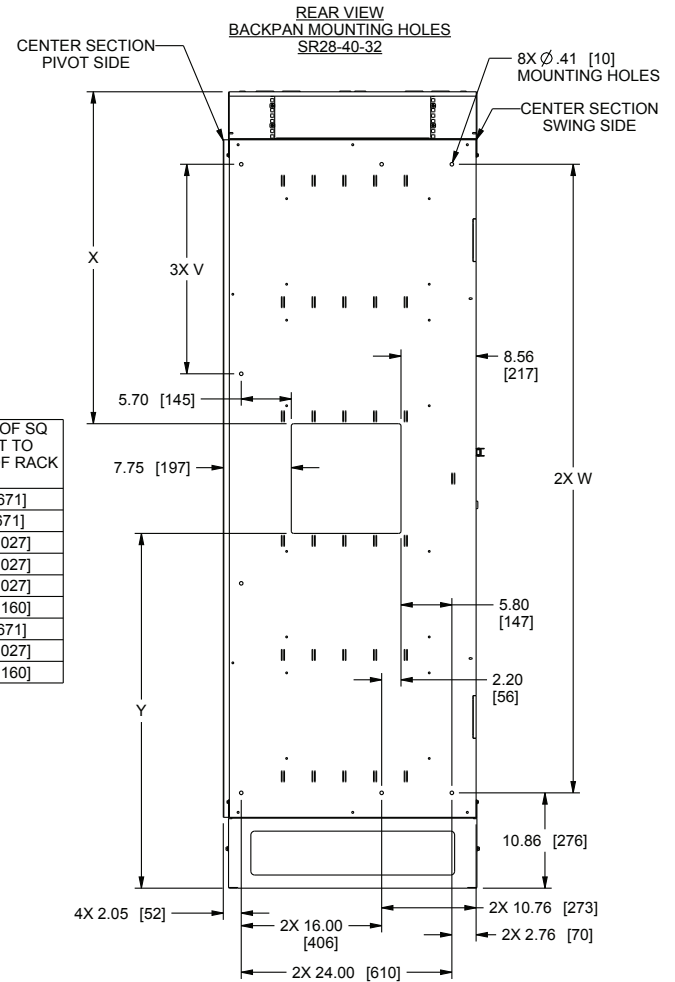
# SR Series

## BASIC DIMENSIONS

NOTE(S):  
 1) ALL DIMENSIONS IN FORMAT:  
 INCHES [MILLIMETERS]



MODEL NUMBER	WALL MOUNT HOLE SPACING PIVOT SIDE V	WALL MOUNT HOLE SPACING SWING SIDE W	TOP OF SQ CUTOUT TO TOP OF RACK X	BOTTOM OF SQ CUTOUT TO BOTTOM OF RACK Y
SR-24-28	14.50 [368]	43.50 [1105]	23.82 [605]	26.43 [671]
SR-24-32	14.50 [368]	43.50 [1105]	23.82 [605]	26.43 [671]
SR-40-22	23.88 [606]	71.63 [1819]	37.82 [961]	40.43 [1027]
SR-40-28	23.88 [606]	71.63 [1819]	37.82 [961]	40.43 [1027]
SR-40-32	23.88 [606]	71.63 [1819]	37.82 [961]	40.43 [1027]
SR-46-28	27.38 [695]	82.13 [2086]	43.07 [1094]	45.68 [1160]
SR28-24-32	14.50 [368]	43.50 [1105]	23.82 [605]	26.43 [671]
SR28-40-32	23.88 [606]	71.63 [1819]	37.82 [961]	40.43 [1027]
SR28-46-32	27.38 [695]	82.13 [2086]	43.07 [1094]	45.68 [1160]



WHAT GREAT SYSTEMS ARE BUILT ON.™

A brand of **legrand**

**Middle Atlantic Products**  
 middleatlantic.com | middleatlantic.ca

# SR Series

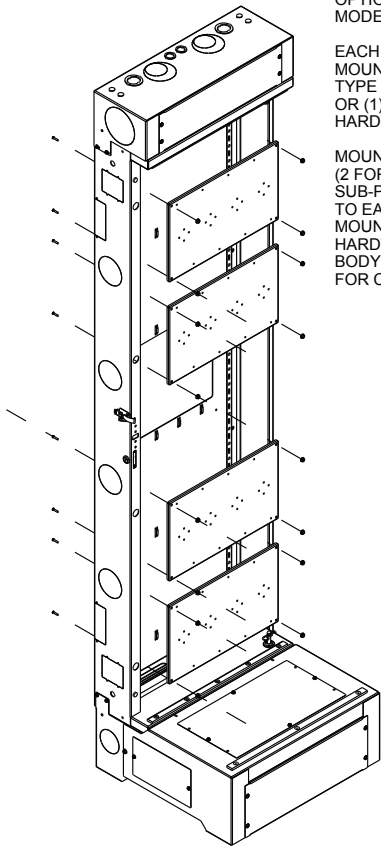
## BASIC DIMENSIONS

NOTE(S):  
1) ALL DIMENSIONS IN FORMAT:  
INCHES [MILLIMETERS]

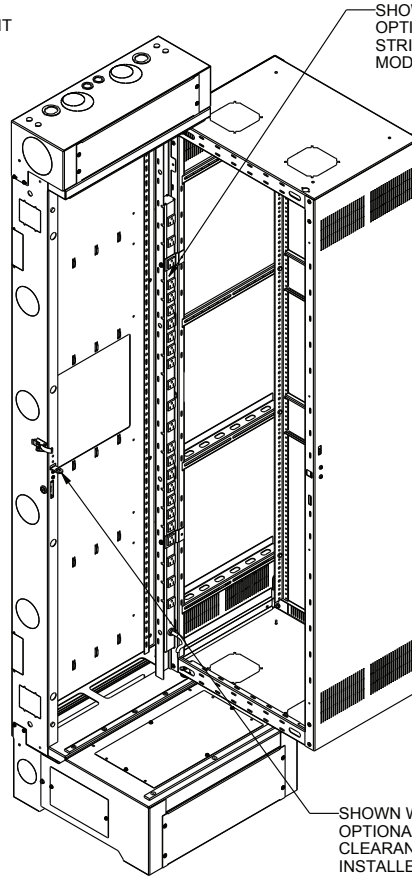
OPTIONAL SUB-PLATE MOUNTING KIT  
MODEL # SR-SUB

EACH SR-SUB ALLOWS FOR THE  
MOUNTING OF UP TO (4) 89-D  
TYPE BRACKETS, (4) 1900 BOXES  
OR (1) RACO 3 GANG BOX.  
HARDWARE INCLUDED.

MOUNT UP TO 4 SR-SUB  
(2 FOR 24 SPACE MODELS)  
SUB-PLATE MOUNTING KITS  
TO EACH SR BACKPAN USING  
MOUNTING HOLES AND INCLUDED  
HARDWARE. (SHOWN WITH MAIN  
BODY OF ENCLOSURE REMOVED  
FOR CLARITY)



SR-40-22

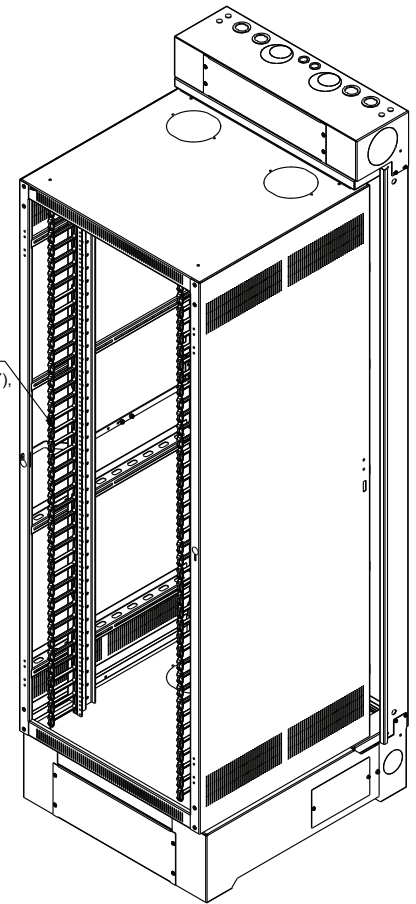


SHOWN WITH  
OPTIONAL POWER  
STRIP INSTALLED  
MODEL # PD-2415SC

SHOWN WITH  
OPTIONAL MINIMUM  
CLEARANCE LATCH  
INSTALLED MODEL # DWRSR-ZL

SR-40-22

SHOWN WITH PRE-INSTALLED  
CABLE FINGERS (SR28 MODELS ONLY),  
OPTIONAL REAR FINGER KIT  
ALSO AVAILABLE  
MODEL# SR28-IVCMF-24,  
SR28-IVCMF-40, SR28-IVCMF-46



SR28-40-32

WHAT GREAT SYSTEMS ARE BUILT ON.™

A brand of  **legrand**

  
**Middle Atlantic Products**  
middleatlantic.com | middleatlantic.ca