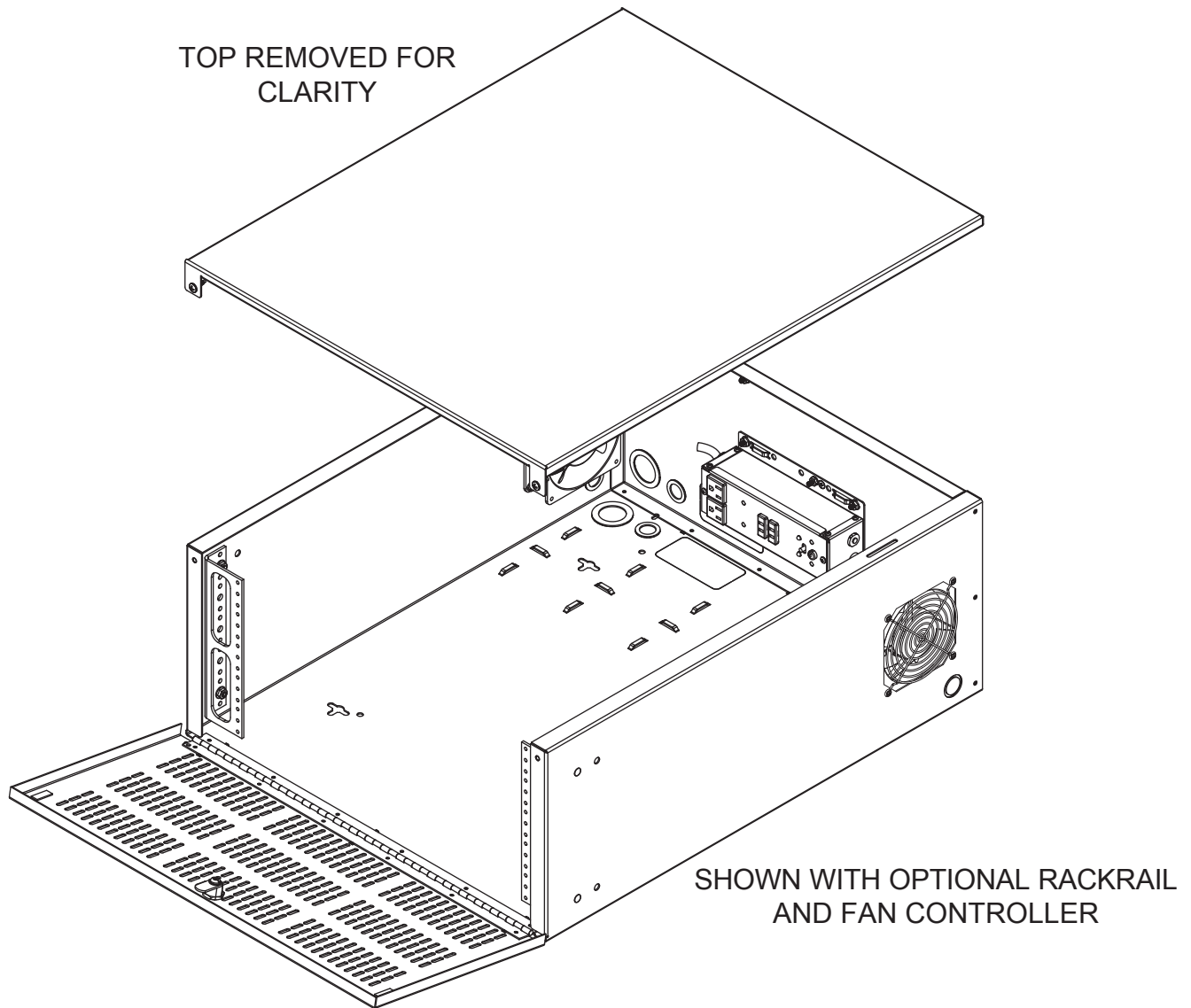


# INSTRUCTION SHEET

## DLBX SERIES

### DVR LOCKBOX



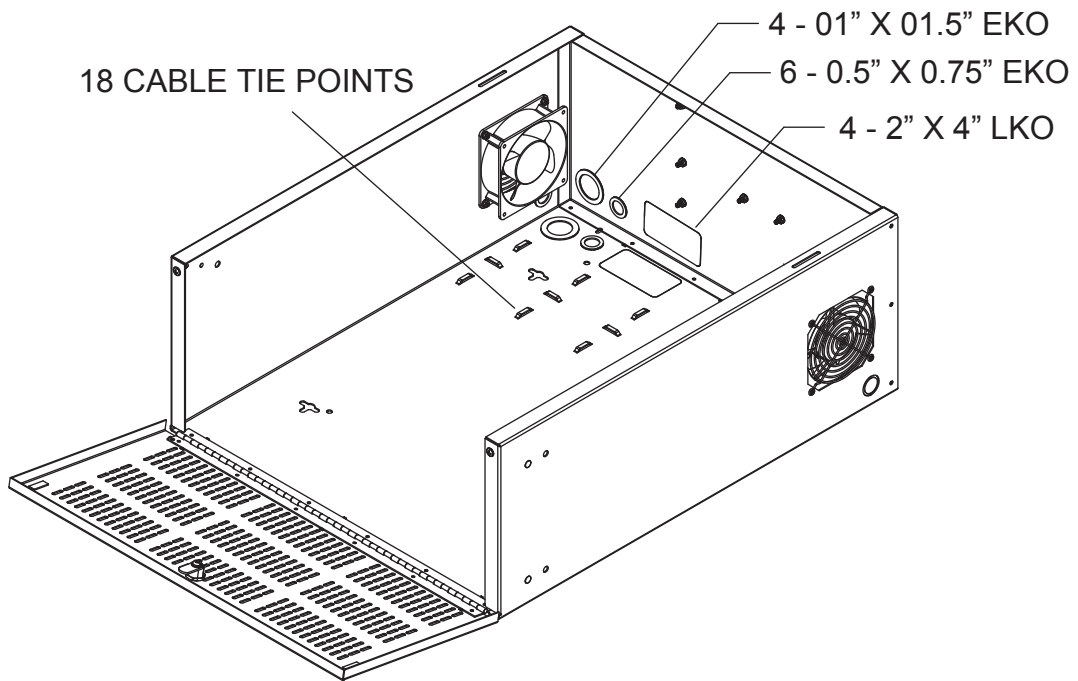
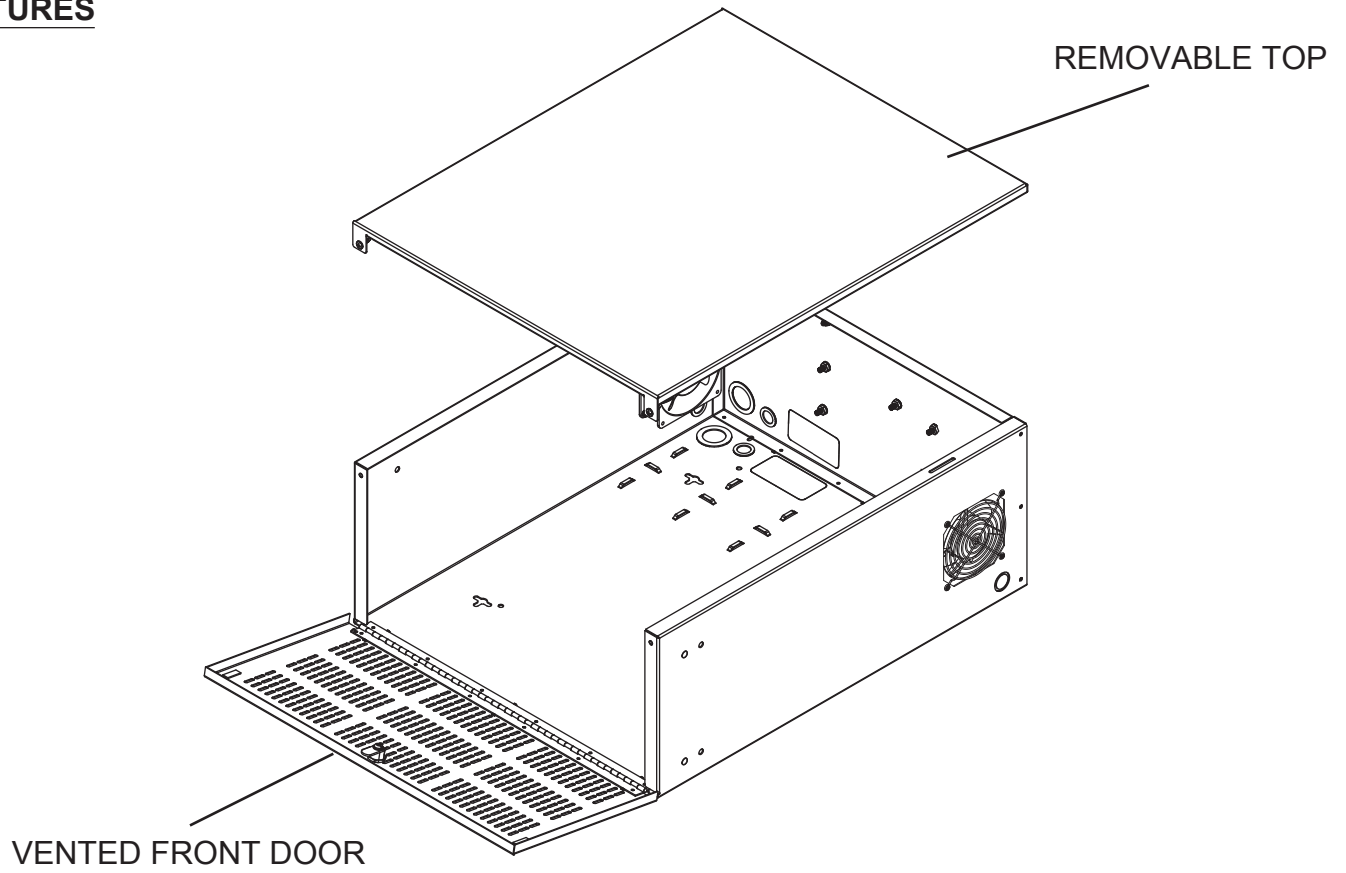
#### THANK YOU

Thank you for purchasing the DLBX. Please read these instructions thoroughly before installing / assembling this product.

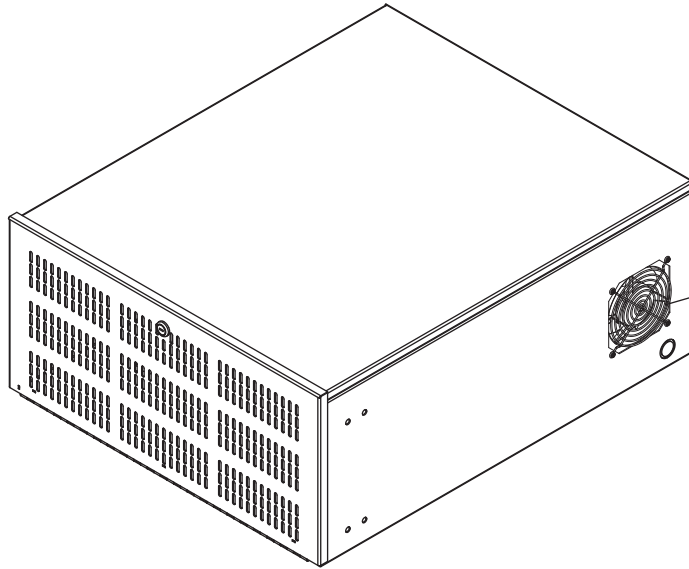
#### PRODUCT FEATURES

- Designed for secure mounting of digital recording equipment
- Mounts vertically or horizontally and can be used as a monitoring shelf
- Optional proportional speed thermostatic fan controller available for active thermal management
- 100 lb. weight capacity

**FEATURES**



## FEATURES (Continued)



2 - 4" 95 CFM FANS  
(ONE ON EACH SIDE)

## INSTALLATION

### TOOLS REQUIRED

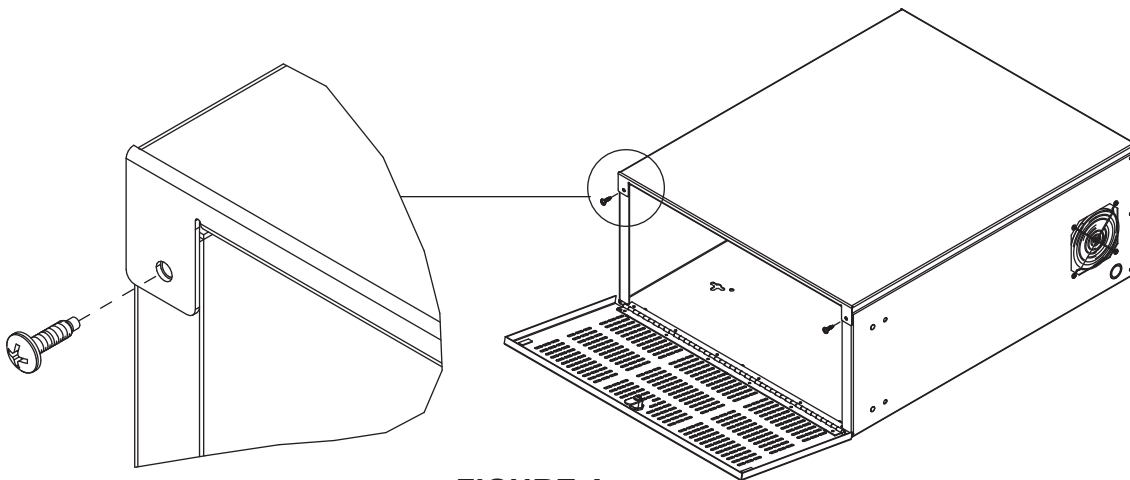
- #2 Phillips Head Driver
- 5/16" Wrench (For Installing Optional Fan Controller)



FOR EASE OF INSTALLATION THE TOP MUST BE REMOVED BEFORE MOUNTING

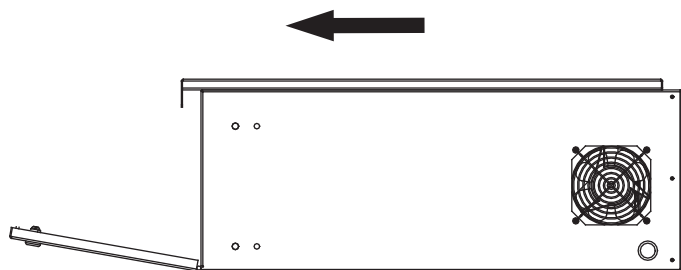


- 1) Open the front door and remove the two screws from the top. **(FIGURE A)**



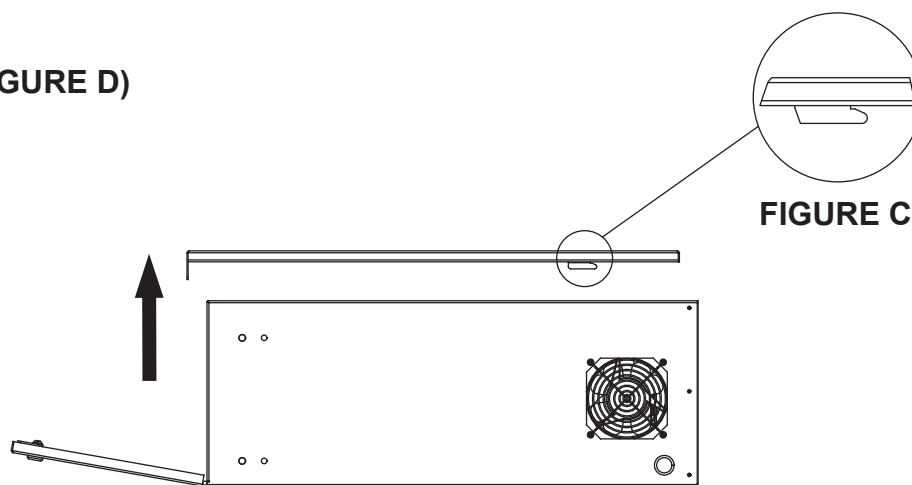
**FIGURE A**

2) Remove top by sliding it forward (**FIGURE B**) to detach tabs (**FIGURE C**).



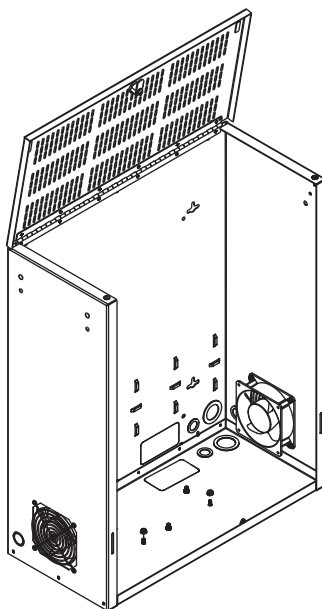
**FIGURE B**

3) Lift off the top. (**FIGURE D**)



**FIGURE D**

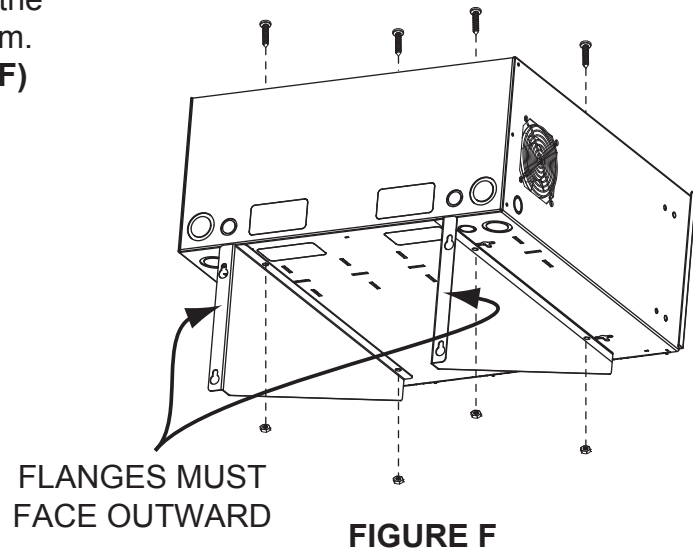
**TIP:** When mounting in this position, placing washers between the DLBX and mounting surface provides greater clearance for the door to swing open. (**FIGURE E**)



**FIGURE E**

Mounting DLBX using optional wall-mount brackets, part number DLBX-WM.

- 1) Using the provided studs and nuts, attach the mounting bracket (DLBX-WM) to the bottom. The flanges must face outward. **(FIGURE F)**

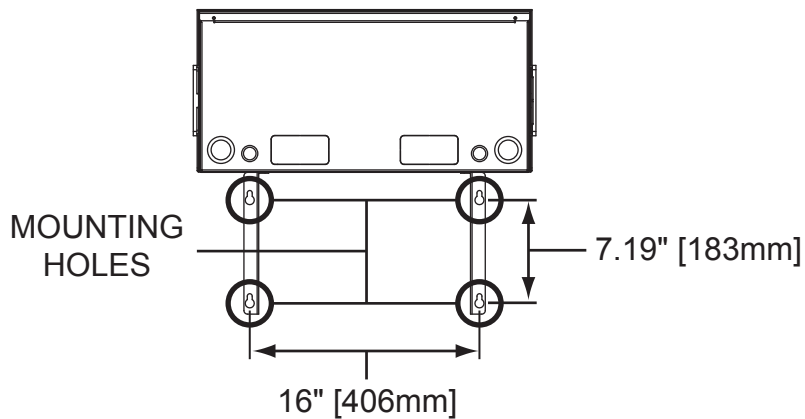


### **WOOD STUD WALL INSTALLATION**

- 2) Drill a 5/32" pilot hole in stud center.
- 3) Using customer supplied 5/16" lag bolt and washer, mount DLBX to wall ensuring lag bolt penetrates 2" into the stud.

### **BLOCK WALL INSTALLATION**

- 2) Drill a 7/8" pilot hole in hollow.
- 3) Bolt DLBX to wall with customer supplied 5/16" toggle bolt and washer.
- 4) Using customer supplied hardware, mount brackets to wall. **(FIGURE G)**



**FIGURE G**

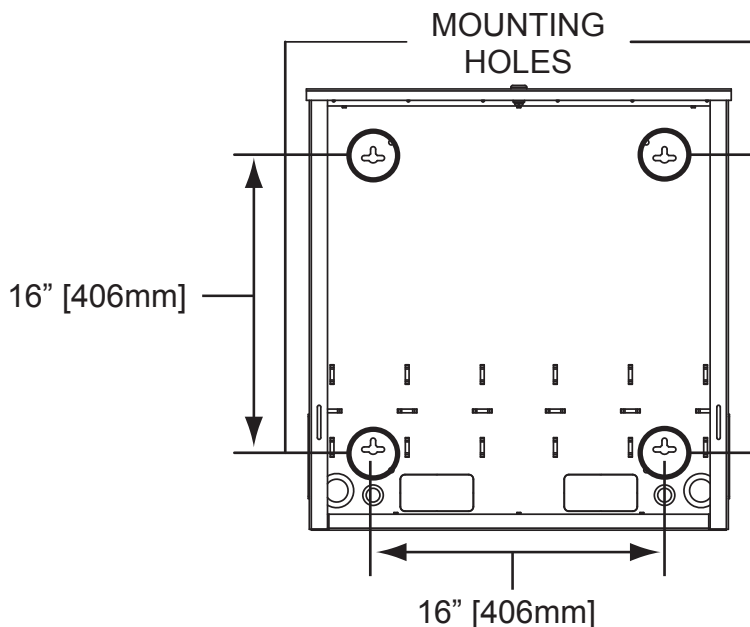
Mounting DLBX without optional wall-mount brackets, part number DLBX-WM.

### **WOOD STUD WALL INSTALLATION**

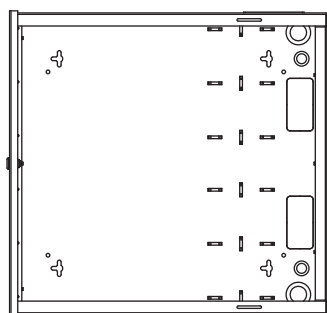
- 1) Drill 1/8" pilot hole into stud center.
- 2) Using customer supplied 1/4" lag bolt and washer, mount DLBX to wall ensuring lag bolt penetrates 2" into the stud. **(FIGURE H - mounting hole locations)**

### **BLOCK WALL INSTALLATION**

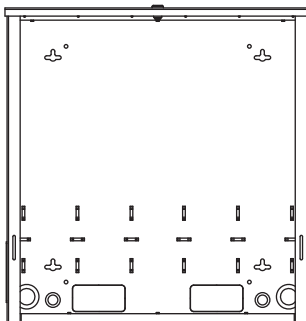
- 1) Drill 5/8" hole in hollow.
- 2) Bolt DLBX to wall with customer supplied 1/4" toggle bolt and washer using all 4 mounting holes. **(FIGURE H - mounting hole locations)**



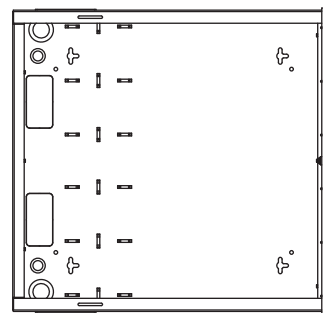
**TIP:** Mounting holes are designed to allow mounting in three different positions.



**LEFT MOUNT**



**CENTER MOUNT**

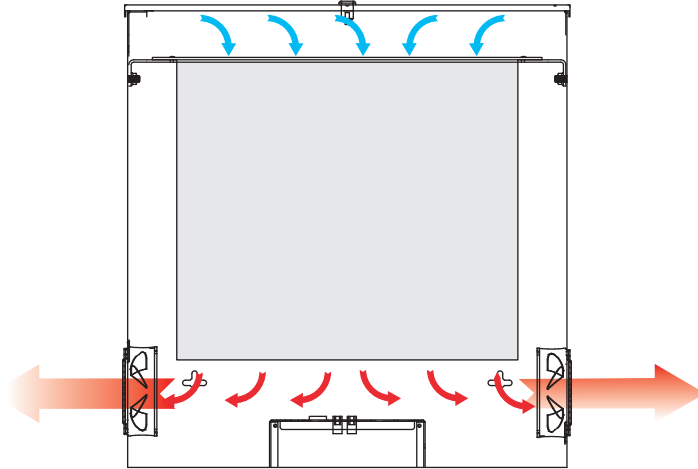


**RIGHT MOUNT**

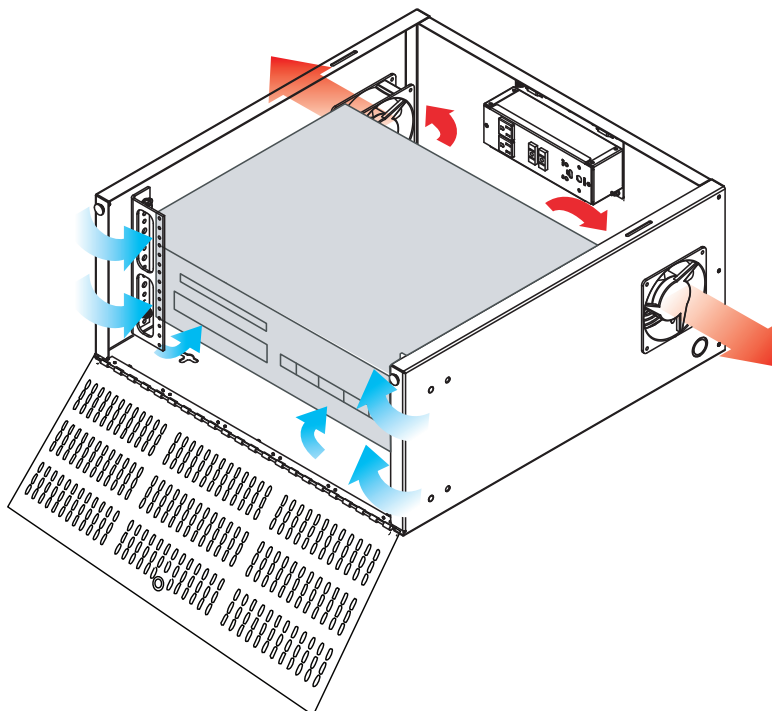
**FIGURE H**

## THERMAL MANAGEMENT (Shown With Optional Rackrail And Fan Controller)

- DLBX shown mounted horizontally to the wall.

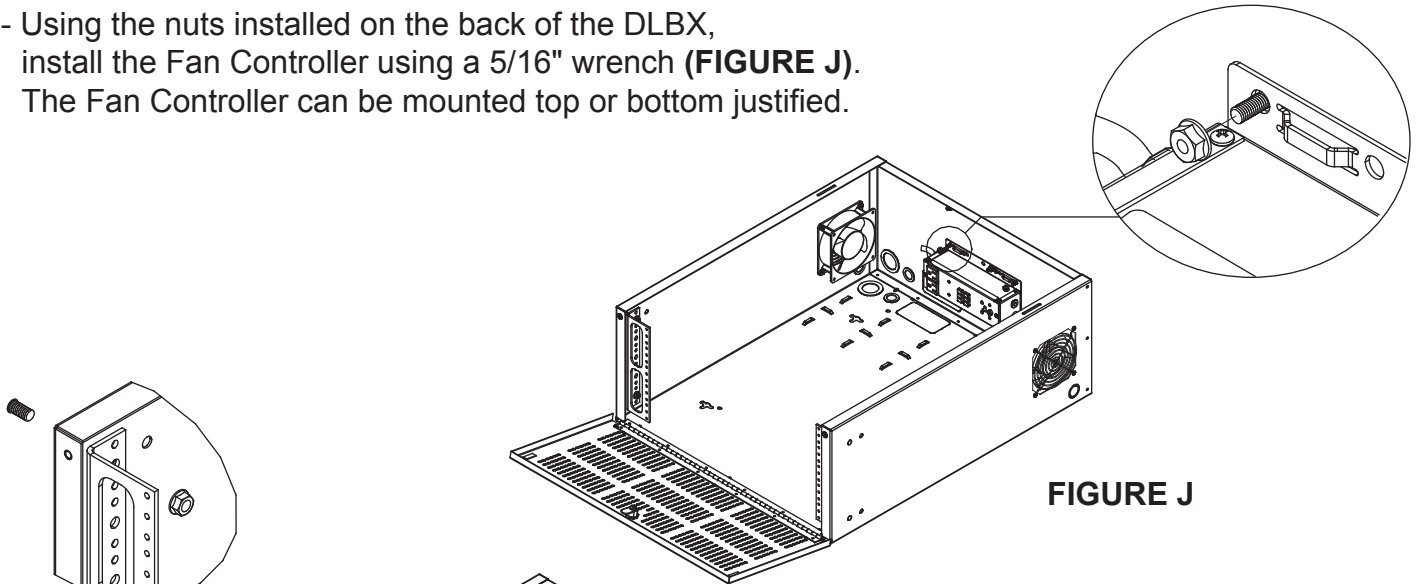


- DLBX shown mounted vertically to the wall (Top removed and front open for clarity).

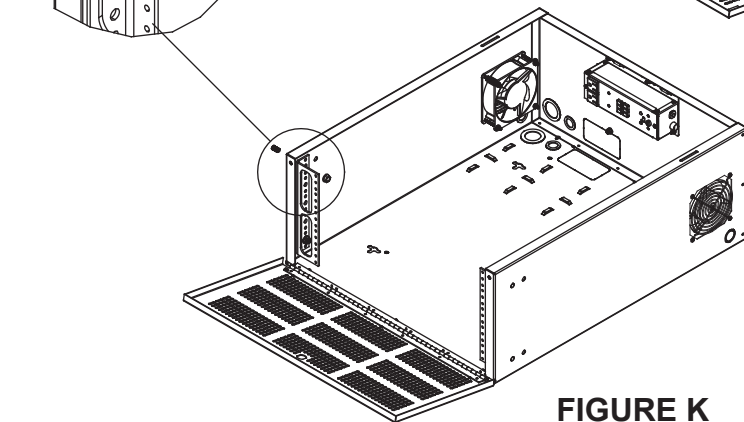


## OPTIONS

- Middle Atlantic Products recommends using the FC-2-215-C Proportional Speed Thermostatic Fan Controller to extend equipment life and reduce noise.
- Using the nuts installed on the back of the DLBX, install the Fan Controller using a 5/16" wrench (**FIGURE J**). The Fan Controller can be mounted top or bottom justified.



**FIGURE J**



**FIGURE K**

- 5 space 10-32 threaded rackrail with cable pass-through cutouts available. Part number DLBX-RR5. Install as shown using provided hardware. (**FIGURE K**)
- Two sets of mounting holes for rail setback.

## WARRANTY

Middle Atlantic Products (the "Company") warrants the DLBX Series DVR Lockbox to be free from defects in material or workmanship under normal use and conditions for the lifetime of the product.

The Company's entire liability to the purchaser, and the purchaser's (or any other party's) sole and exclusive remedy, under this warranty shall be limited, at the Company's option, to either (a) return of and refund of the price paid for, or (b) repair or replacement at the Company's factory of the products purchased, or any part or parts thereof, which the Company has determined to be defective after inspection thereof at the Company's factory.

This warranty does not cover damage due to acts of God, accident, misuse, abuse or negligence by parties other than the Company, or any modification or alteration of the products. In addition, this warranty does not cover damage due to improper handling, assembly, installation or maintenance.

THIS WARRANTY IS IN LIEU OF ALL OTHER WARRANTIES OF ANY KIND, EITHER EXPRESSED OR IMPLIED, INCLUDING, BUT NOT LIMITED TO, IMPLIED WARRANTIES OF MERCHANTABILITY AND FITNESS FOR A PARTICULAR PURPOSE.

TO THE MAXIMUM EXTENT PERMITTED BY APPLICABLE LAW, IN NO EVENT SHALL THE COMPANY BE LIABLE FOR ANY SPECIAL, INCIDENTAL, INDIRECT, OR CONSEQUENTIAL DAMAGES WHATSOEVER (INCLUDING, WITHOUT LIMITATION, DAMAGES FOR LOSS OF BUSINESS PROFITS, BUSINESS INTERRUPTION OR ANY OTHER PECUNIARY LOSS) ARISING OUT OF THE USE OF THE PRODUCTS PURCHASED, EVEN IF THE COMPANY HAS BEEN ADVISED OF THE POSSIBILITY OF SUCH DAMAGES. THE COMPANY'S LIABILITY TO THE PURCHASER (OR ANY OTHER PARTY) HEREUNDER, IF ANY, SHALL IN NO EVENT EXCEED THE PURCHASE PRICE OF THE PRODUCTS PAID TO THE COMPANY.

### Corporate Headquarters

Corporate Voice 973-839-1011 - Fax 973-839-1976  
International Voice +1 973-839-8821 - Fax +1 973-839-4982  
middleatlantic.com - info@middleatlantic.com

### Middle Atlantic Canada

Voice 613-836-2501 - Fax 613-836-2690  
middleatlantic.ca - customerservicecanada@middleatlantic.ca

### Factory Distribution

USA: NJ - CA - IL Canada: ON - BC

At Middle Atlantic Products we are always listening. Your comments are welcome. Middle Atlantic Products is an ISO 9001 and ISO 14001 Registered Company.