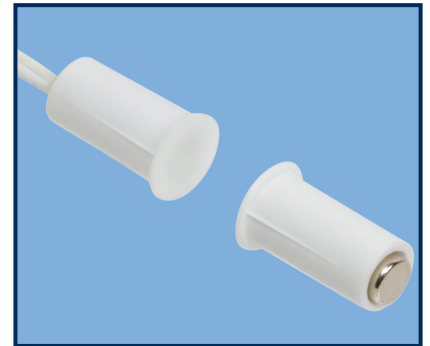


DESCRIPTION

Nascom's N175 Series is a stubby 3/8" recessed contact, protects all nonferrous (e.g. wood, aluminum and vinyl) doors and windows, in both residential and commercial applications.

The N175 is the installer's choice of contact configuration where drill depth is a consideration and excellent air and side-to-side gaps are required to stop false alarms, caused by shifting or warping doors and windows.



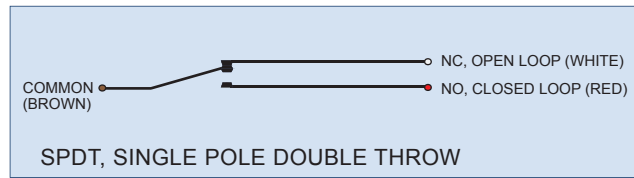
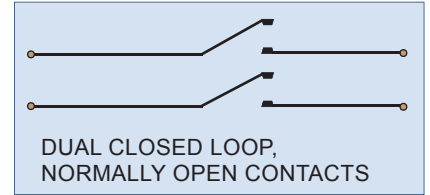
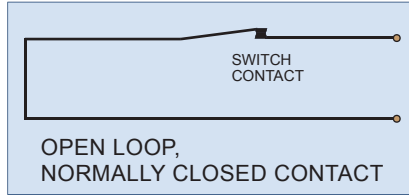
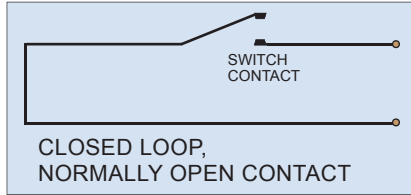
FEATURES

- PRESS FIT - NO GLUE REQUIRED
- 12" 22AWG WIRE LEADS
- WIDE GAP - N35 NdFeB RARE EARTH MAGNET
- ENCAPSULATED HERMETICALLY SEALED CONTACTS
- POLYPROPYLENE HOUSINGS
- LISTED TO UL634 STANDARD

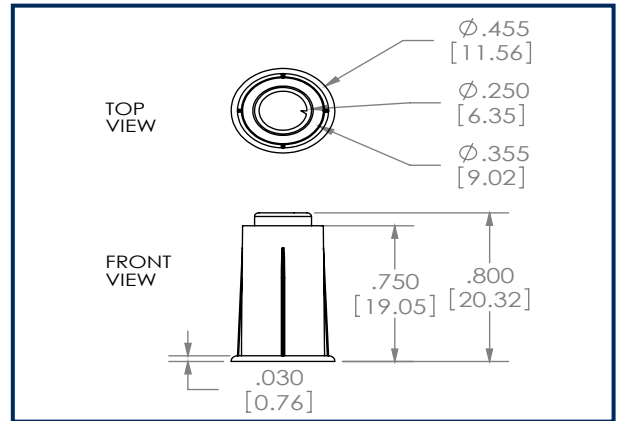
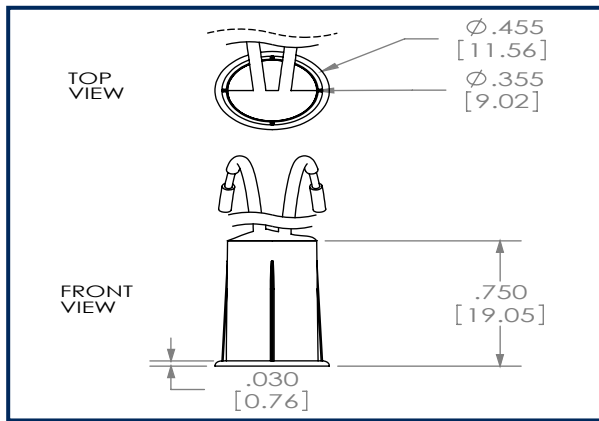
ORDERING INFORMATION

PART NUMBER	COLOR	OPERATE GAP (in inches)	CONTACT RATING (Max DC/Peak AC Resistive)				STATIC CONTACT RESISTANCE (50mV, 100mA)
			SWITCHING		CARRY		
			V	I	V	I	
CLOSED LOOP, NORMALLY OPEN, 1FA, SWITCH/MAGNET SET:							
N175B/ST N175G/ST N175W/ST	BROWN GREY WHIITE	0.625 to 1.00	200 VDC	0.5 Amps	10vA	1.5 Amps	150 mOhms
DUAL CLOSED LOOP, NORMALLY OPEN, 1FA, SWITCH/MAGNET SET:							
N175B/ST2CR N175G/ST2CR N175T/ST2CR N175W/ST2CR	BROWN GREY TAN WHIITE	0.625 to 1.00	200 VDC	0.5 Amps	10vA	1.5 Amps	150 mOhms
OPEN LOOP, NORMALLY CLOSED, 1FB, SWITCH/MAGNET SET:							
N175B/STFB N175G/STFB N175T/STFB N175W/STFB	BROWN GREY TAN WHIITE	0.50 to 0.875	30 VDC	0.2 Amps	3vA	0.5 Amps	150 mOhms
SINGLE POLE, DOUBLE THROW SWITCH/MAGNET SET:							
N175B/STFB N175G/STFB N175T/STFB N175W/STFB	BROWN GREY TAN WHIITE	0.50 to 0.875	30 VDC	0.2 Amps	3vA	0.5 Amps	150 mOhms
HIGH SECURITY, NORMALLY OPEN, 1FA, SWITCH/MAGNET SET:							
N175B/STHS N175G/STHS N175T/STHS N175W/STHS	BROWN GREY TAN WHIITE	0.1875 to 0.50	300 VDC	0.25 Amps	10vA	0.25 Amps	150 mOhms initial

WIRING SCHEMATIC



DIMENSIONS - IN [mm]



INSTALLATION INSTRUCTIONS

- Mark location for the switch on the door frame and mark the location for the magnet on the top edge of the door.
- Make sure switch and magnet hole locations are aligned.
- Using a square, transfer the marks on to the top edge of the door and the opposing door frame.
- Using a tape measure or graduations on the square, locate the center of the door edge and place an intersecting line with the first mark. Drill a 3/8" hole at the location where the marks intersect.
- Repeat the above step to locate the hole position for the switch in the door frame. Drill a 3/8" hole in the door frame.
- Press the magnet into the hole you drilled in the door until flush with top edge of door.
- Connect the switch leads to the alarm system. **Caution! Hold wire leads, not the switch housing while cutting and stripping to prevent damage to switch.**
- Insert wire leads into hole followed by the switch and press the switch into the hole until the head is flush with the door frame
- Test switch for correct operation and make sure gap performance is acceptable.

PART NUMBER SYSTEM

