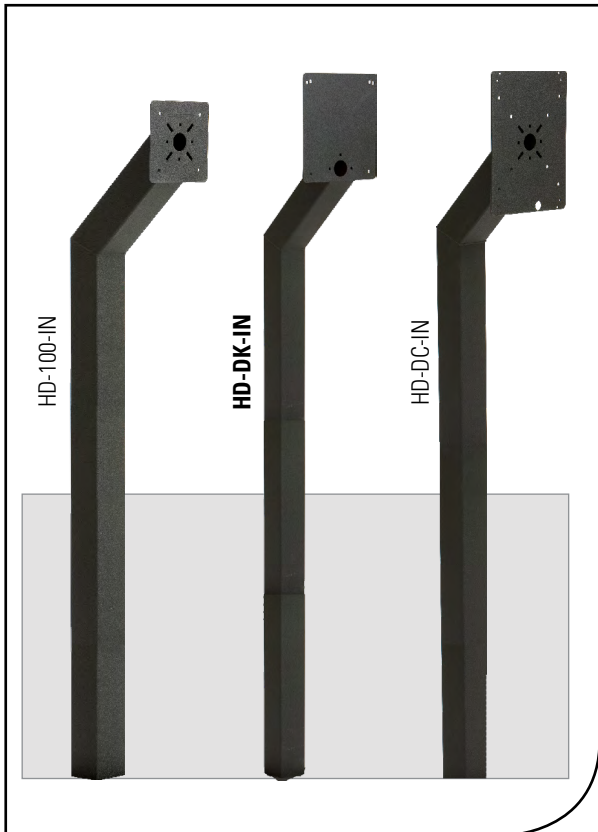


72"-78" HD IN-GROUND PEDESTALS



PRO Features:

- 1) Face plate, 11.25" x 13" x .136" (10 gauge) fits DoorKing® Telephone Entry
- 2) In-ground or wet cement pedestal
- 3) 1/2" NPT hole (drilled and tapped) on the back just above the 23" mark
- 4) Heavy duty square tube 4" x 4" x .120" wall (11 gauge)
- 5) 12" Reach (On Vertical Center) - 45° Cut & Welded
- 6) Phosphate pretreatment (rust inhibitor)
- 7) TGIC outdoor polyester powder coat with UV protectant
- 8) Includes carriage bolts (4) and nuts (4)
- 9) Boxed individually
- 10) Customizable dimensions and colors available upon request

Models

Place 20"-24" in the ground or wet cement. All have 1/2" NPT conduit access on backside 23.5" up from their lowest point

Model #	Height	Reach	Color Code	Weight	Box Size
HD-100-IN (add color code)	72"	12"	-BLK = Black Wrinkle -WHI = White -YEL = Yellow	55 lbs.	76x15x10
HD-DK-IN (add color code)	78"	12"	-BLK = Black Wrinkle -WHI = White -YEL = Yellow	55 lbs.	76x15x13
HD-DC-IN (add color code)	78"	12"	-BLK = Black Wrinkle -WHI = White -YEL = Yellow	55 lbs.	76x15x13

Description:

A very strong, heavy duty, in-ground mount (wet cement), gooseneck, card reader pedestal for cars and pedestrians. Also mounts intercoms, keypads, entry/exit buttons, biometric readers, telephone entry systems, housings, and other access control devices. Includes a face plate with universal holes patterns and a 1/2" NPT hole (drilled and tapped) on the back side for easy wiring near ground level.

This pedestal can be installed for various height requirements. In-ground (wet cement) pedestals are meant to save the installer time; however, if this pedestal becomes damaged (by a vehicle or otherwise) it is more cumbersome to replace. Conversely, pad mount pedestals require more labor

from the installer; however, they are much easier to replace.

The neck is cut and welded to form an architectural design while allowing the wiring to pass easily from the ground, through the pedestal, and into the access control device - making installation very convenient.

Pedestal PRO is the world's leading manufacturer of access control pedestals and supports a global network of systems integrators and security professionals.

Related Items

Housing



Model # MC-CS-8-E

Housing



Model # Lando-CS-12x8-E

Hood



Model # HOOD-CS-4.5X8

Hood



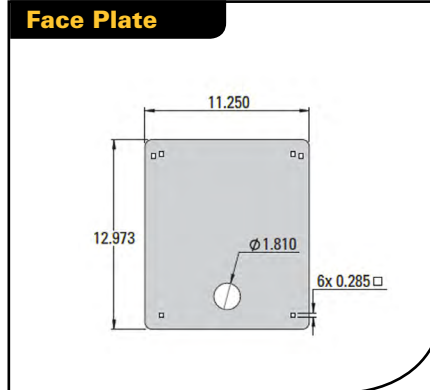
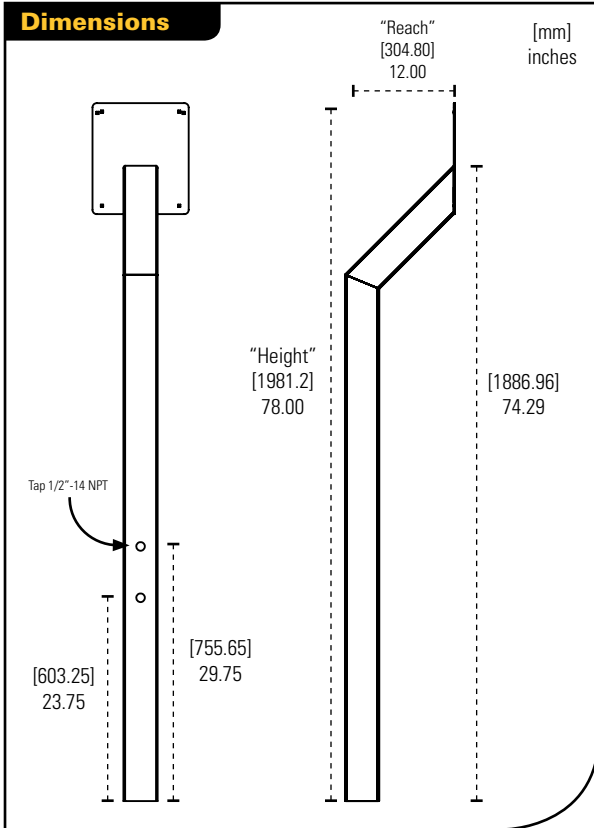
Model # HOOD-CS-10x10

Also Available:

Stainless Steel, Aluminum, and Polycarbonate Solutions

1-800-660-3072
info@PedestalPRO.com
947 W 500 N, Ste 101
Lindon UT 84042
www.PedestalPRO.com

HD-DK-IN IN-GROUND PEDESTAL



Customize

Stock Color

- Black

Readily Available Colors*

- White
- Safety Yellow

Custom "RAL" colors*

Adjust height, reach, and face plate specifications to meet your needs*
*additional costs and lead times may apply

Other Options

Place 20"-24" in the ground or wet cement. All have 1/2" NPT conduit access on backside 23.5" up from their lowest point

- 64-9C-IN: Steel, 64", Black, 2" Tube, 4" Face Plate
- 72-9C-IN: Steel, 72", Black, 2" Tube, 4" Face Plate
- HD-100-IN: Steel, 72", Black, 4" Tube, 8" Face Plate
- HD-DK-IN: Steel, 78", Black, 4" Tube, Fits DoorKing® Telephone Entry
- HD-DC-IN: Steel, 78", Black, 4" Tube, Fits Chamberlain® Telephone Entry

Stress Test

Wind Speed: 200 mph (321 km/h)

Wind Force: 1.3333 psi

Face Area: 263.5959 in² (each square inch receives 1.3333 psi for a total of 351.34 psi)

Max Deflection or Displacement: The top corner displaces 0.8 (etc) mm

Max Stress: 6965.5 psi

Yield Strength: 89,984.6 psi (strength at which the material bends permanently)

Interpretation: The highest recorded sustained wind is 217 mph. At 200 mph, the top of the pedestal would move .8 mm without bending permanently. In the real world, the concrete or the mounting bolts and nuts would be fail first, not to mention the electronics would blow off even sooner.

von Mises (psi)

- 31,994.5
- 29,328.3
- 26,662.1
- 23,995.9
- 21,329.7
- 18,663.5
- 15,997.3
- 13,331.0
- 10,664.8
- 7,998.6
- 5,332.4
- 2,666.2
- 0.0

→ Yield strength: 31,994.5

