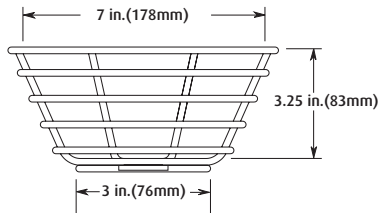
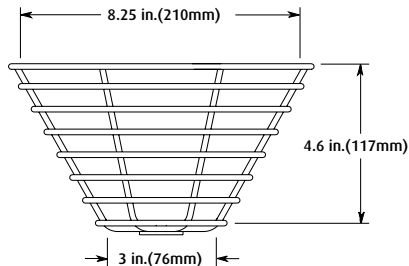


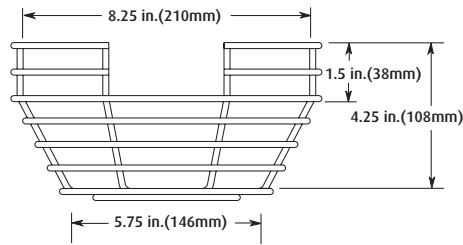
**STI-9601  
STI-9601-SS**



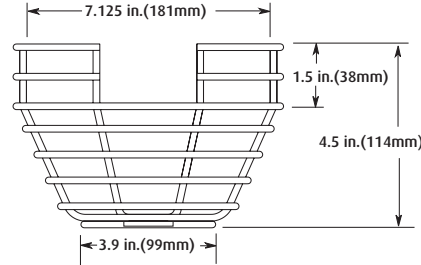
**STI-9604  
STI-9604-SS**



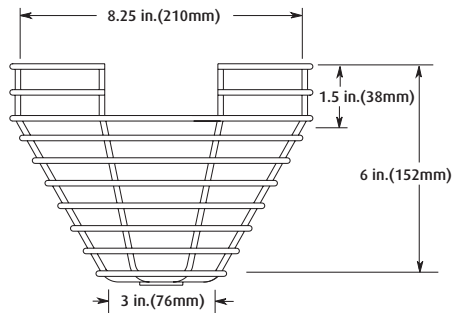
**STI-9609  
STI-9609-SS**



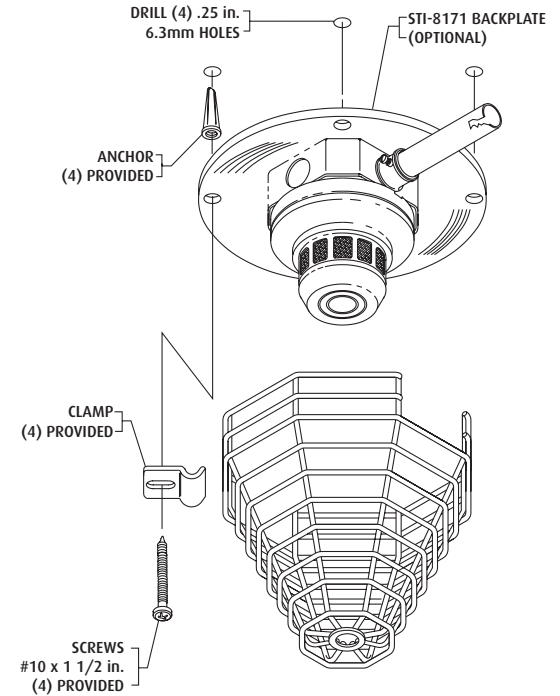
**STI-9602**



**STI-9605  
STI-9605-SS**



**STI-9610**



**SERVICE**

1. Periodic cleaning of the smoke detector is required so dust and other matter do not accumulate.
2. To service the smoke sensor unit, loosen but do not remove the (4) screws rotate clamps and carefully remove wire guard.

**OPTIONAL ACCESSORIES**

KIT-82 - #8 x 1 1/2" spanner tamper resistant stainless steel screw kit.  
KIT-19038 - #8 spanner bit with 5/16" hex drive.  
STI-8170 for use with STI-9601, STI-9602, STI-9609 or STI-9610 cages.

**APPROVALS**

**STI-9601, STI-9602, STI-9604, STI-9605**  
UL Listed No. S3504 for use with Listed low profile smoke detectors

**STI-9609, STI-9610**  
UL Listed No. S3504 for use with Listed high profile smoke detectors

Three year warranty or a one year limited warranty (from date of purchase) on most products. See website for details. Electronic warranty form at [www.sti-usa.com/wc14](http://www.sti-usa.com/wc14).

**IMPORTANT**

Do not attempt to install the wire guard until the smoke sensor has been tested and in proper working order according to the manufacturer's installation instructions furnished with the sensor unit.

**INSTALLATION**

1. Center the wire guard over existing smoke detector.
2. Mark and drill (4) mounting holes (see pictorial for size). Insert anchor into ceiling. **NOTE:** If lag shields and lag bolts are used, make sure anchor is flush with surface. Position guard, insert lag bolts and tighten. Length of bolt should be selected to assure full thread engagement in anchor.
3. STI-8170 BACKPLATE - STI recommends the use of this plate on all unstable mounting surfaces.
4. Insert screws through clamps and backplate (if used) and screw into anchors; but do not tighten.
5. Position guard over detector, slide clamps onto top wire of guard and tighten screws.

**INSTALLATION OF STI CEILING MOUNTED SMOKE DETECTOR GUARDS**

All specifications and information shown were current as of publication and are subject to change without notice.



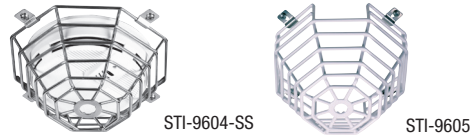
# ADDITIONAL WIRE GUARDS AVAILABLE

Visit [www.sti-usa.com](http://www.sti-usa.com) for complete details

## SMOKE DETECTOR GUARDS

STI-9601	8.25 x 2.75"
STI-9601-SS	8.25 x 2.75"
STI-9602	8.25 x 4.25"
STI-9604	7 x 3.25"
STI-9604-SS	7 x 3.25"
STI-9605	7.125 x 4.5"
STI-9605-SS	7.125 x 4.5"
STI-9609	8.25 x 4.6"
STI-9609-SS	8.25 x 4.6"

STI-9610	8.25 x 6"
STI-9712	6.87 x 4.53"
STI-9713	6.87 x 2.50"



## BEAM SMOKE DETECTORS

STI-9623	7.75 x 6 x 6"
STI-9624	8.875 x 5.5 x 4.75"
STI-9625	7.875 x 10.25 x 12.625"
STI-9706	10.82 x 9.32 x 4"
STI-9707	11 x 9.62 x 5.5"
STI-9840	6.61 x 5.78"
STI-9841	11.52 x 10 x 3.58"
STI-9845	6.7 x 9.2 x 4.07"



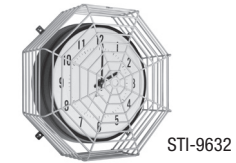
## PIR GUARDS

STI-9618	4.62 x 5.37 x 3"
STI-9619	7.75 x 5.37 x 5.62"
STI-9620	6.25 x 4 x 2.25"
STI-9621	7 x 5.75 x 4.50"
STI-9622	8.75 x 4 x 3.75"



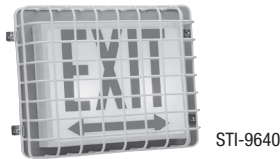
## CLOCK/BELL WIRE CAGES

STI-9631	10.5" Diameter
STI-9631-SS	10.5" Diameter
STI-9631-R	10.5" Diameter
STI-9632	16.5" Diameter
STI-9632-SS	16.5" Diameter
STI-9633	20" Diameter



## EXIT SIGN WIRE CAGES

STI-9640	10.5 x 13.75 x 2.75"
STI-9740	15.5 x 20.5 x 6"
STI-9741	14.80 x 16.09 x 5.35"
STI-9742	15.59 x 16.09 x 3.30"



## BAY & OUTDOOR LIGHT WIRE CAGES

STI-9702	21.43 x 22.50"
STI-9709	24.5 x 26"
STI-9796	14 x 16"



## EMERGENCY LIGHT CAGES

STI-9641	19.7 x 14.6 x 4"
STI-9644	8.7 x 17.7 x 5"
STI-9645	13.8 x 21.7 x 5.9"
STI-9649	10.75 x 24.75 x 11.25"
STI-9703	5 x 13.5 x 4"



## BEACON & SOUNDER CAGES

STI-9614	7.9 x 6"
STI-9615	3.7 x 3.5"
STI-9617	5.9 x 4.9"
STI-9664	3.86 x 6.18"
STI-9665	7 x 8.43"



## MISCELLANEOUS WIRE CAGES

STI-9651	29.5 x 53.5 x 4"
STI-9705	7.4 x 6.15 x 3.39"
STI-9708	7.49 x 6.74 x 6.09"
STI-9711	8.26 x 8.26 x 3.54"
STI-9714	8.55 x 8.55 x 6.23"
STI-9716	17 x 17 x 25"
STI-9717	6.1 x 9.3 x 2.4"

STI-9720	6.1 x 9.3 x 4.9"
STI-9729	7 x 7 x 7"
STI-9730	12 x 12 x 12"
STI-9796	21.43 x 22.5"
STI-9880	10.45 x 62.75 x 6.2"
STI-9881	10.45 x 98.25 x 6.2"

