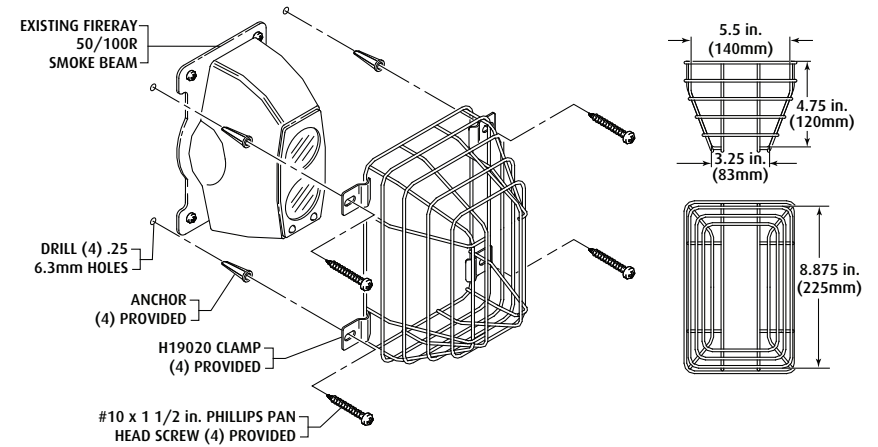
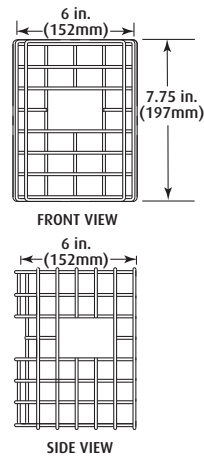


STI-9623



STI-9624

IMPORTANT

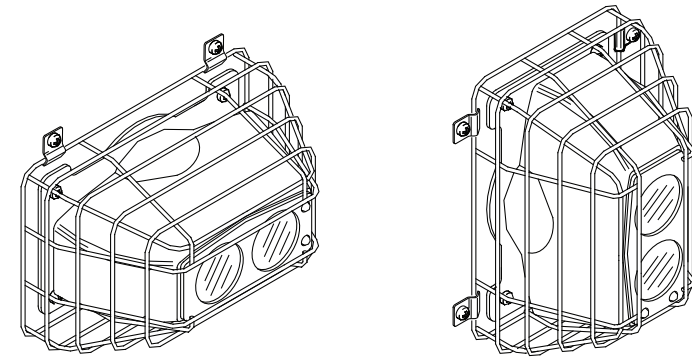
Do not attempt to install Beam Smoke wire guard until either the reflective beam smoke detector or both the emitter and receiver have been perfectly aligned according to the beam smoke installation instructions.

INSTALLATION INSTRUCTIONS

1. Center the wire guard over existing unit, making sure cutout in wire guard is positioned over beam lens. Use caution not to hit or bump the detector.
2. Position one clamp. Mark, drill and install one clamp first then complete installation of remaining clamps. See pictorial for size.

Lag Bolts - If lag shields and lag bolts are used, make sure anchor is flush with surface. Position guard, insert lag bolt and tighten. Bolt should be selected to assure full thread engagement in anchor.

The STI-9623 guard may be spray painted prior to installation.



CAN BE MOUNTED VERTICALLY OR HORIZONTALLY

Three year warranty or a one year limited warranty (from date of purchase) on most products. See website for details. Electronic warranty form at www.sti-usa.com/wc14.

INSTALLATION OF STI BEAM SMOKE DAMAGE STOPPERS®

All specifications and information shown were current as of publication and are subject to change without notice.

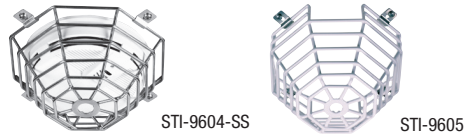
ADDITIONAL WIRE GUARDS AVAILABLE

Visit www.sti-usa.com for complete details

SMOKE DETECTOR GUARDS

STI-9601	8.25 x 2.75"
STI-9601-SS	8.25 x 2.75"
STI-9602	8.25 x 4.25"
STI-9604	7 x 3.25"
STI-9604-SS	7 x 3.25"
STI-9605	7.125 x 4.5"
STI-9605-SS	7.125 x 4.5"
STI-9609	8.25 x 4.6"
STI-9609-SS	8.25 x 4.6"

STI-9610	8.25 x 6"
STI-9712	6.87 x 4.53"
STI-9713	6.87 x 2.50"



BEAM SMOKE DETECTORS

STI-9623	7.75 x 6 x 6"
STI-9624	8.875 x 5.5 x 4.75"
STI-9625	7.875 x 10.25 x 12.625"
STI-9706	10.82 x 9.32 x 4"
STI-9707	11 x 9.62 x 5.5"
STI-9840	6.61 x 5.78"
STI-9841	11.52 x 10 x 3.58"
STI-9845	6.7 x 9.2 x 4.07"



PIR GUARDS

STI-9618	4.62 x 5.37 x 3"
STI-9619	7.75 x 5.37 x 5.62"
STI-9620	6.25 x 4 x 2.25"
STI-9621	7 x 5.75 x 4.50"
STI-9622	8.75 x 4 x 3.75"



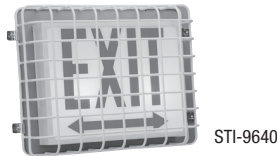
CLOCK/BELL WIRE CAGES

STI-9631	10.5" Diameter
STI-9631-SS	10.5" Diameter
STI-9631-R	10.5" Diameter
STI-9632	16.5" Diameter
STI-9632-SS	16.5" Diameter
STI-9633	20" Diameter



EXIT SIGN WIRE CAGES

STI-9640	10.5 x 13.75 x 2.75"
STI-9740	15.5 x 20.5 x 6"
STI-9741	14.80 x 16.09 x 5.35"
STI-9742	15.59 x 16.09 x 3.30"



BAY & OUTDOOR LIGHT WIRE CAGES

STI-9702	21.43 x 22.50"
STI-9709	24.5 x 26"
STI-9796	14 x 16"



EMERGENCY LIGHT CAGES

STI-9641	19.7 x 14.6 x 4"
STI-9644	8.7 x 17.7 x 5"
STI-9645	13.8 x 21.7 x 5.9"
STI-9649	10.75 x 24.75 x 11.25"
STI-9703	5 x 13.5 x 4"



BEACON & SOUNDER CAGES

STI-9614	7.9 x 6"
STI-9615	3.7 x 3.5"
STI-9617	5.9 x 4.9"
STI-9664	3.86 x 6.18"
STI-9665	7 x 8.43"



MISCELLANEOUS WIRE CAGES

STI-9651	29.5 x 53.5 x 4"	STI-9720	6.1 x 9.3 x 4.9"
STI-9705	7.4 x 6.15 x 3.39"	STI-9729	7 x 7 x 7"
STI-9708	7.49 x 6.74 x 6.09"	STI-9730	12 x 12 x 12"
STI-9711	8.26 x 8.26 x 3.54"	STI-9796	21.43 x 22.5"
STI-9714	8.55 x 8.55 x 6.23"	STI-9880	10.45 x 62.75 x 6.2"
STI-9716	17 x 17 x 25"	STI-9881	10.45 x 98.25 x 6.2"
STI-9717	6.1 x 9.3 x 2.4"		

