



SD500-LIM Line Isolator Module



Isolate SLC loop problems without losing the entire loop.

Isolate a short circuit wiring fault on a SLC loop using a SD500-LIM. Normally if a short on the SLC loop occurs, communication on the loop can be disrupted. When isolator modules are used and a short occurs on the SLC loop, it will be detected as a trouble but all the SLC devices that are protected by a line isolator module will continue to operate.

SD500-LIM Line Isolator Module

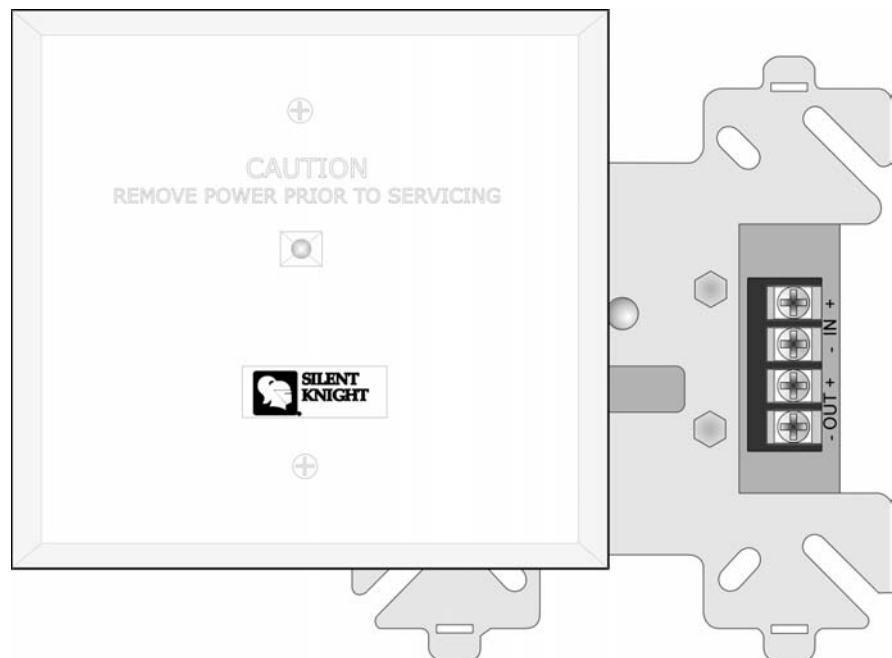
The SD500-LIM Line Isolator Module is compatible with Silent Knight's Addressable Fire control panels.

The SD500-LIM can be used on Style 7 (Class A), and Style 4 (Class B) wiring configurations.

The SD500-LIM mounts in a standard dual gang or 4" square electrical box.

Specifications

Operation Temperature:	32° - 120°F (0° - 49°C)
Dimensions:	
Length:	4-7/8" (12.38 cm)
Width:	4-7/8" (12.38 cm)
Depth:	7/8" (2.22 cm)
Operating Voltage:	32 VDC
Battery Current Draw During AC Loss:	.092 mA
SLC Current:	.092 mA
Max. SLC Loop Resistance:	50Ω



Features

- Isolates short circuits on an SLC loop.
- Protects other modules on the loop so other devices continue to operate.
- Can be used on Style 7 (Class A), and Style 4 (Class B) wiring configurations.
- Mounts in a standard dual gang or 4" square electrical box.

Listings/Approvals

- UL Listed
- CSFM listed 7170-0559:143
- MEA approval 429-92-E volume XI

Compatible Control Panels

5820XL
5808
5700

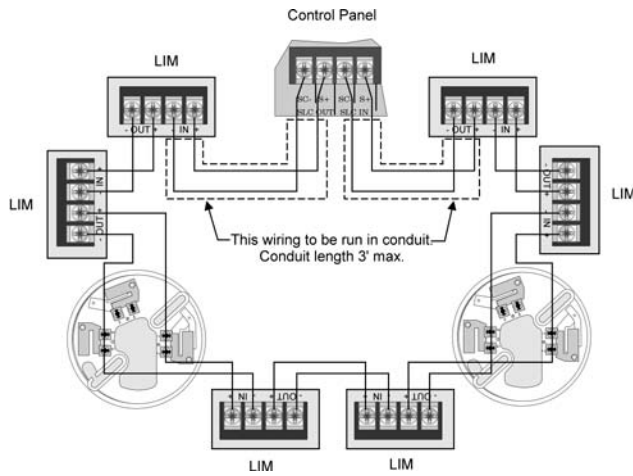


**SILENT
KNIGHT**

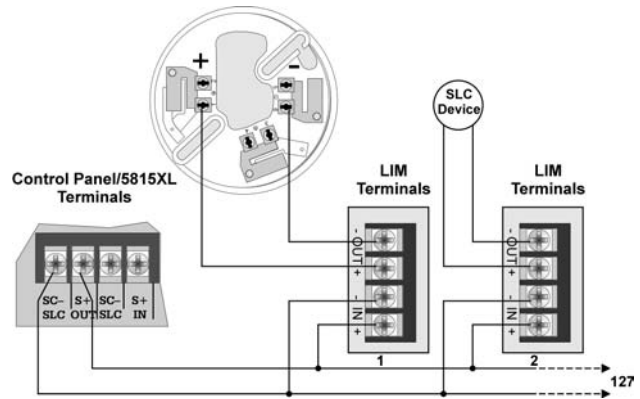
by Honeywell



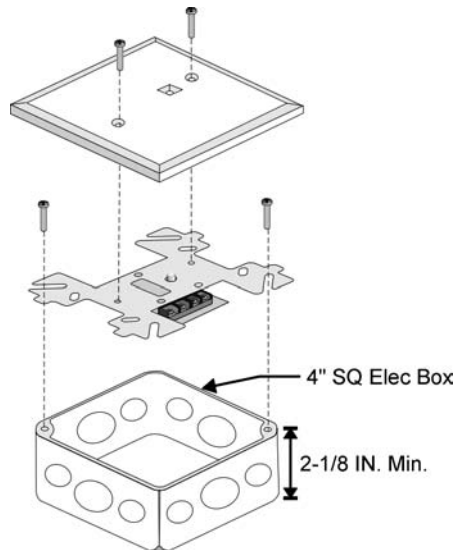
SD500-LIM Line Isolator Module



Style 7 (Class A)



Style 4 (Class B)



Mounting



This document is not intended to be used for installation purposes. We try to keep our product information up-to-date and accurate. We cannot cover all specific applications or anticipate all requirements. All specifications are subject to change without notice. For more information, contact Silent Knight 7550 Meridian Circle Suite 100, Maple Grove, Mn 55369-4927. Phone: (800) 328-0103, Fax: (763) 493-6475. <http://www.silentknight.com>

MADE IN AMERICA
FORM# 350222 Rev. C 12/06
Copyright © 2006 Silent Knight