

### Description

Talk-A-Phone's ETP-EL12/24 is a 12/24V outdoor-rated LED Blue Light, which is continuously lit to draw attention to the location. The LED Blue Light flashes when activated by any Talk-A-Phone series emergency phone or third party device that provides a dry contact closure or relay output.

The ETP-EL12/24 has two settings controlled by an internal jumper: Normal Power Mode (NPM) and Low Power Mode (LPM). Low Power Mode is designed for applications where power consumption is an important consideration (e.g. when operating on solar power).

Talk-A-Phone's ETP-EL LED Blue Light can be mounted to a wall using an ETP-MBKT mounting bracket. The unit is often used in combination with a Talk-A-Phone emergency phone at university and college campuses, parking facilities, shopping malls, medical centers, industrial campuses and transit facilities.



### Features

- An ultra bright all-LED Blue Light is always lit. Flashing is activated on a dry contact closure.
- Polycarbonate refractor housing has prismatic pattern to increase visibility at greater distances
- All-LED construction of the unit significantly increases its life span
- Easily integrates with any Talk-A-Phone emergency phone to flash for duration of a call

### Specifications

|                          |  |
|--------------------------|--|
| Dimensions (H x Dia):    | 6.9 x 6.6 in. (175 x 167 mm)   |
| Weight:                  | 4 lbs. (1.8 kg)  |
| Construction: Base/Dome: | Polycarbonate  |
| Gasket:                  | UV-resistant EPDM Foam Rubber  |
| Intensity:               | 209 lumens peak (Normal Power Mode); reduced intensity in the Low Power Mode                           |
| Flash Rate:              | 78 flashes per minute  |
| LED life:                | 70% of initial lumens after 50,000 hours of operation  |
| Input Voltage:           | 10-30VDC / 20-28VAC  |
| Power Consumption:       | 18A peak inrush<br>7.5 watts (Normal Power Mode)<br>1.5 watts (Low Power Mode)                         |
| Operating Temperature:   | -40°F to 150°F (-40°C to 65°C)   |
| Wiring:                  | 18GA jacketed power cable and 18GA twisted pair trigger wires; 180±6 in. long with tinned flying leads |
| Mounting:                | Mount directly to a wall or using an ETP-MBKT mounting bracket kit                                     |
| Compliance:              | Conforms to UL Standard 1598   |
| Warranty:                | 2-year warranty  |

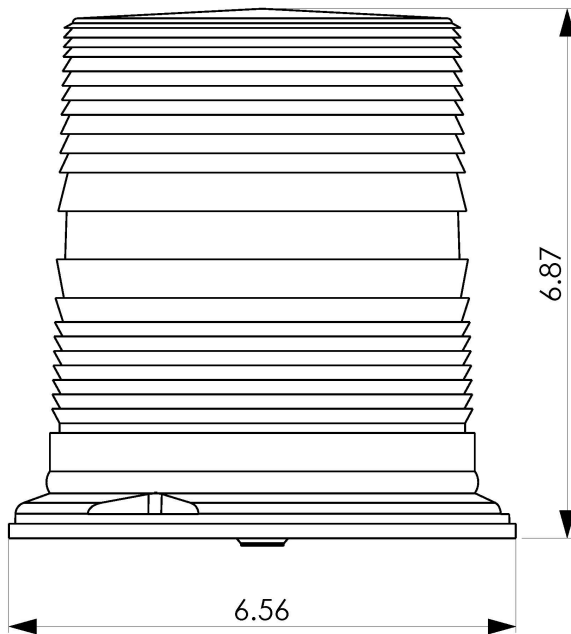
# ETP-EL12/24 – 12/24V LED Blue Light

## Accessories

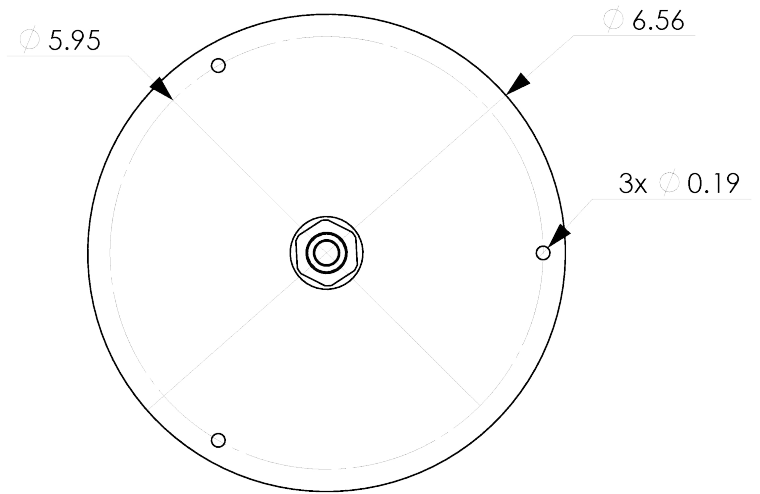
Mounting Bracket:

Order **ETP-MBKT** Mounting Bracket Kit for mounting ETP-EL to a wall or to a 4 in. square (1900) box (extends 8.8 in.)

## Dimensional Diagram



FRONT VIEW



BOTTOM VIEW

All dimensions are in inches and are provided for reference only.