

ETP-EL – 120VAC LED Blue Light

Description

Talk-A-Phone's ETP-EL is a 120VAC outdoor-rated LED Blue Light, which is continuously lit to draw attention to the location. The LED Blue Light flashes when activated by any Talk-A-Phone series emergency phone or third party device that provides a dry contact closure or relay output.

Talk-A-Phone's ETP-EL LED Blue Light can be mounted to a wall using an ETP-MBKT mounting bracket. The unit is often used in combination with a Talk-A-Phone emergency phone at university and college campuses, parking facilities, shopping malls, medical centers, industrial campuses and transit facilities.

Features

- An ultra bright all-LED Blue Light is always lit. Flashing is activated on a dry contact closure.
- Polycarbonate refractor housing has prismatic pattern to increase visibility at greater distances
- All-LED construction of the unit significantly increases its life span
- Easily integrates with any Talk-A-Phone emergency phone to flash for duration of a call



Specifications

Dimensions (H x Dia):	6.9 x 6.6 in. (175 x 167 mm)
Weight:	4 lbs. (1.8 kg)
Construction: Base/Dome:	Polycarbonate
Gasket:	UV-resistant EPDM Foam Rubber
Intensity:	209 lumens peak
Flash Rate:	78 flashes per minute
LED life:	70% of initial lumens after 50,000 hours of operation
Input Voltage:	96-132VAC
Power Consumption:	7.8 watts, 35A peak inrush
Operating Temperature:	-40°F to 150°F (-40°C to 65°C)
Wiring:	18GA jacketed power cable and 18GA twisted pair trigger wires; 180±6 in. long with tinned flying leads
Mounting:	Mount directly to a wall or using an ETP-MBKT mounting bracket kit
Compliance:	Conforms to UL Standard 1598
Warranty:	2-year warranty

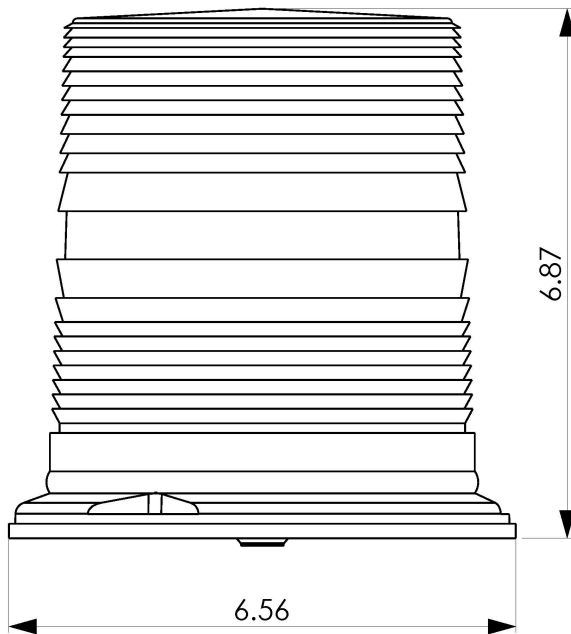
ETP-EL – 120VAC LED Blue Light

Accessories

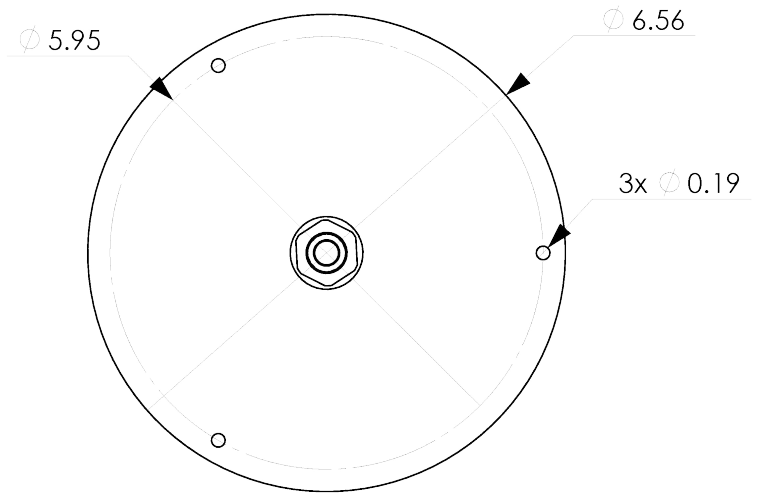
Mounting Bracket:

Order **ETP-MBKT** Mounting Bracket Kit for mounting ETP-EL to a wall or to a 4 in. square (1900) box (extends 8.8 in.)

Dimensional Diagram



FRONT VIEW



BOTTOM VIEW

All dimensions are in inches and are provided for reference only.